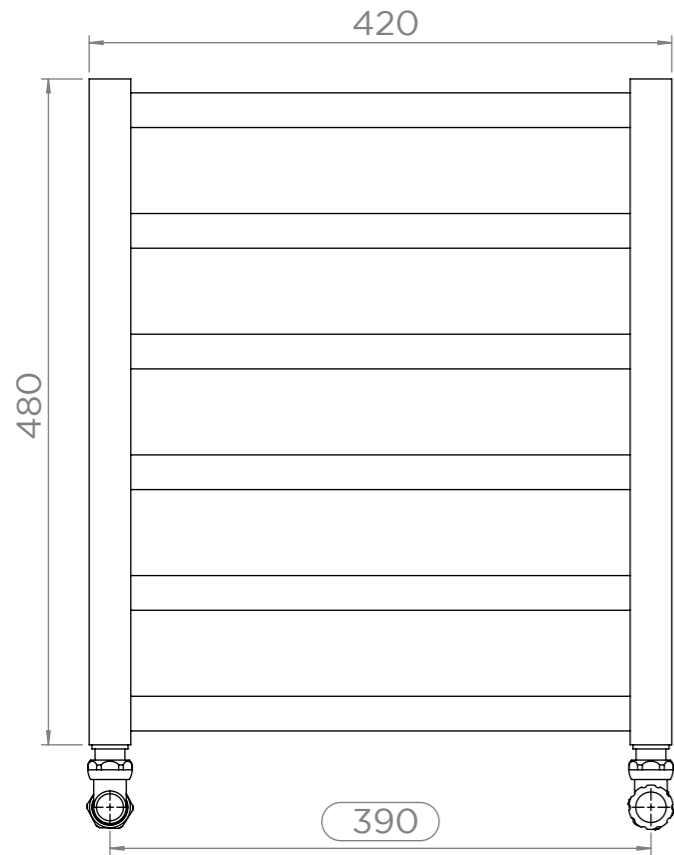
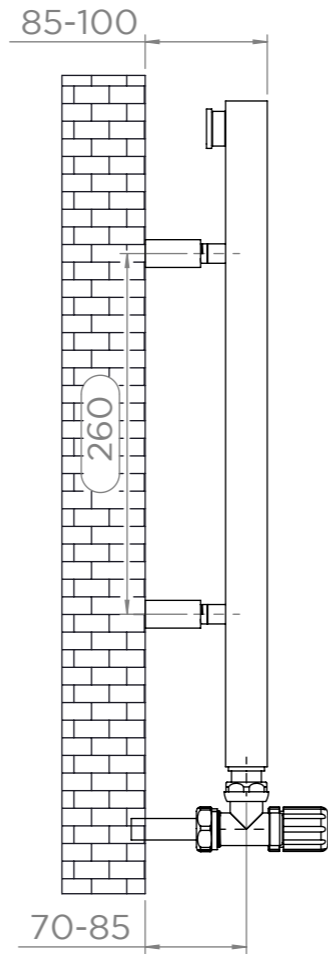


ALL MEASUREMENTS ARE IN MILLIMETRES | MANUFACTURED FROM MILD STEEL

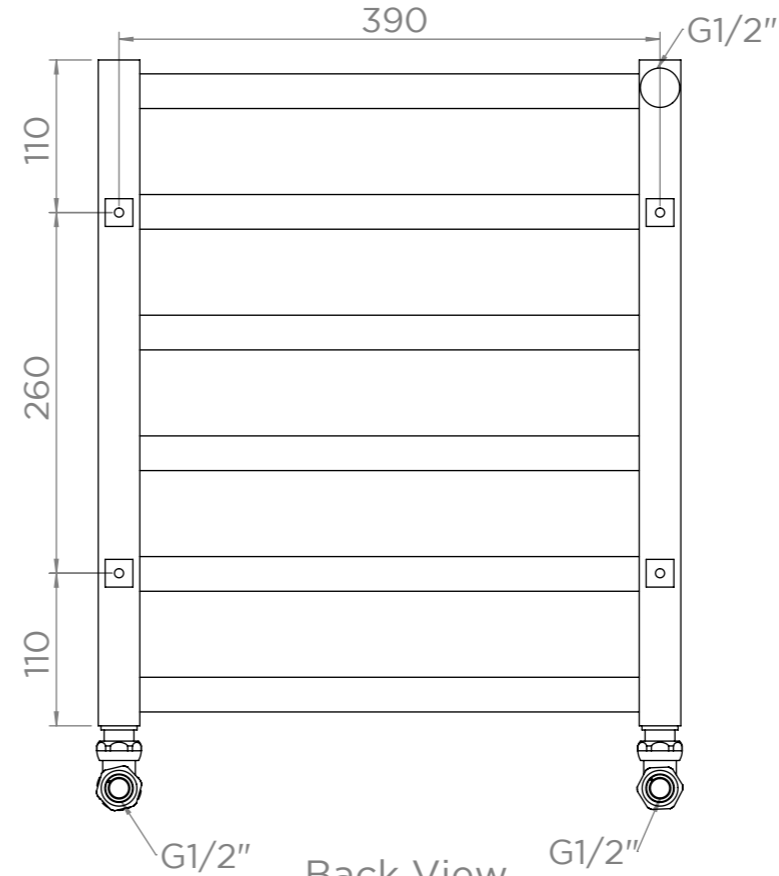
## 4K5



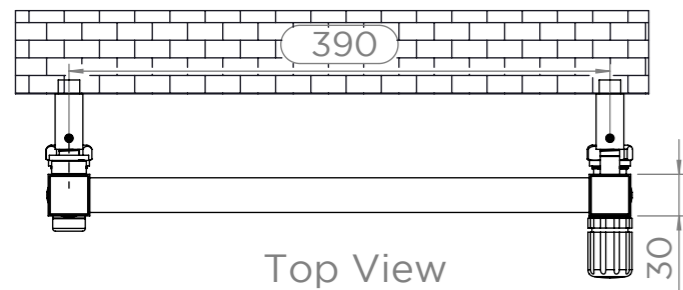
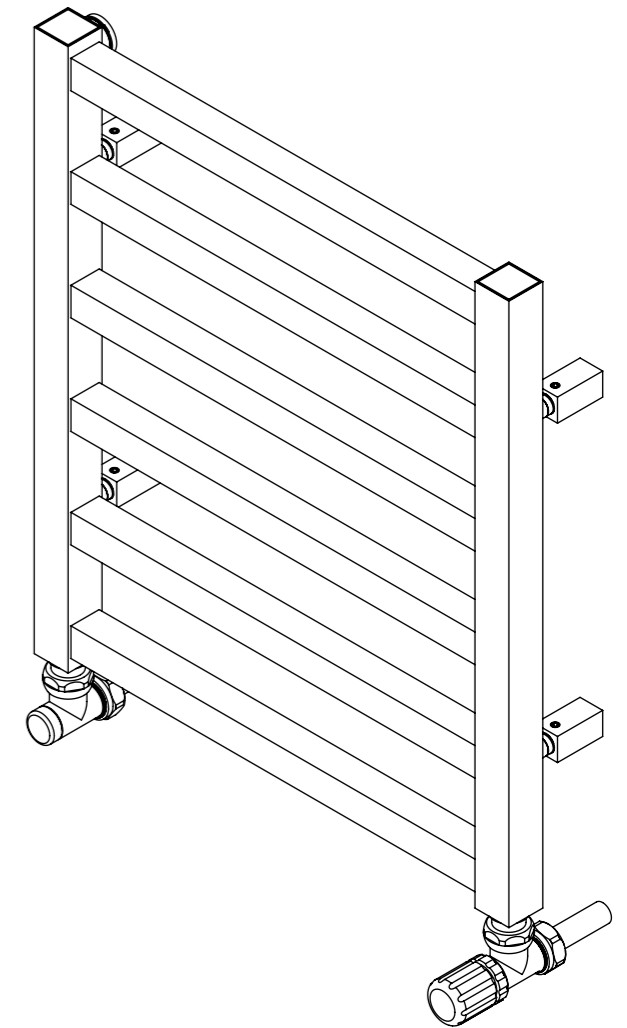
Front View



Side View









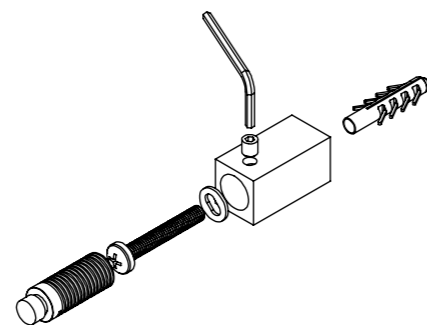
Back View



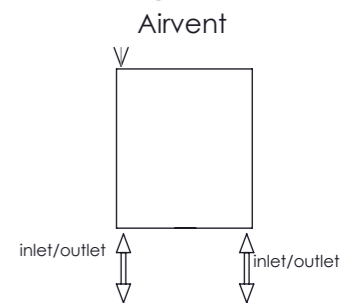
Top View

### Installation Accessories:

- |  |  |
|--|--|
|  x4 |  x4 |
|  x4 |  x4 |
|  x4 |  x1 |



### Fitting Position:



All Dimensions are in mm  
 Max. Working Pressure: 10 Bar  
 Max. Working Temperature: 95° C  
 Inlet / Outlet : 1/2" BSP  
 Fuel Type: H