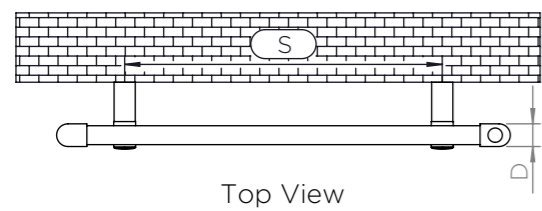
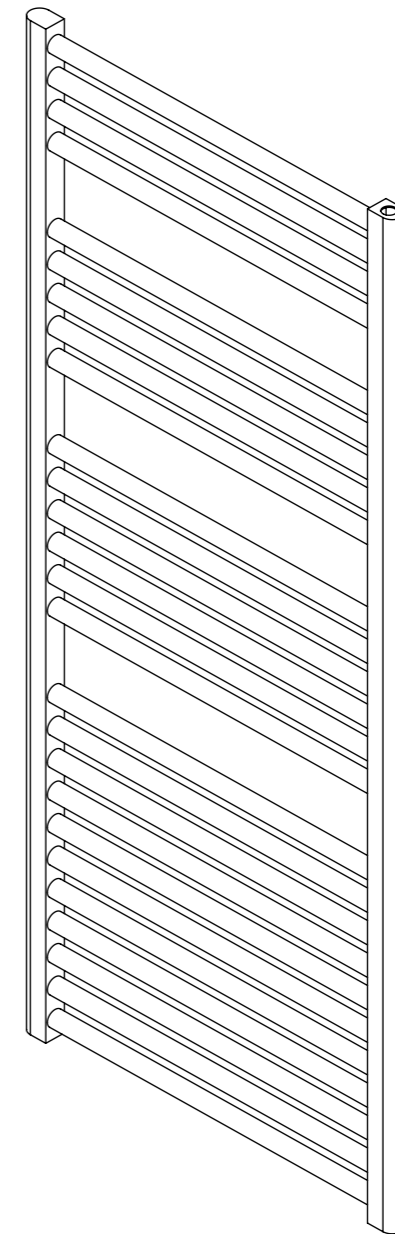
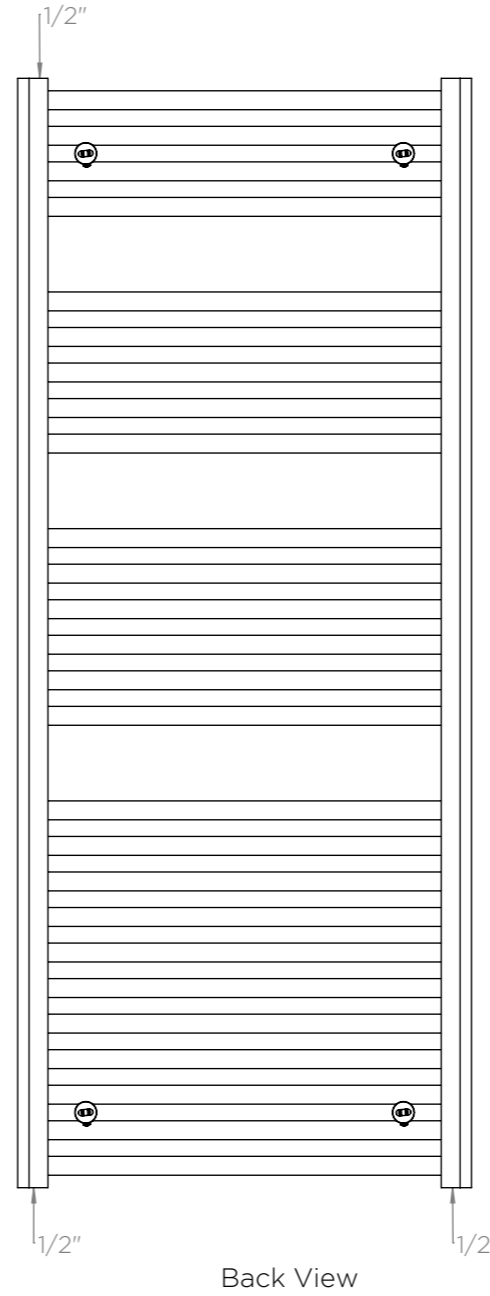
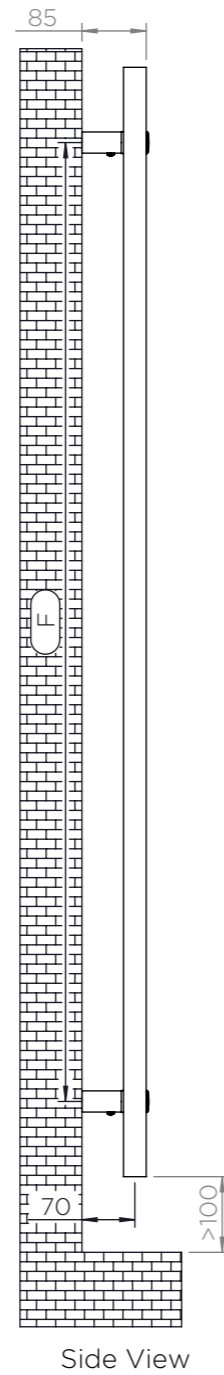
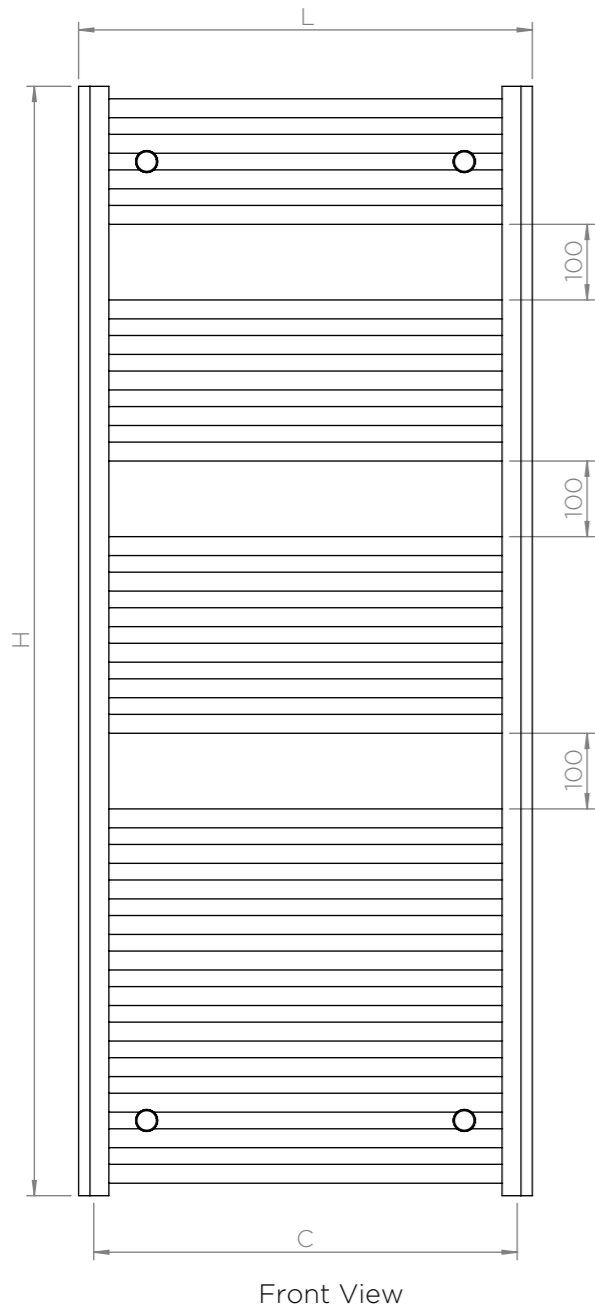
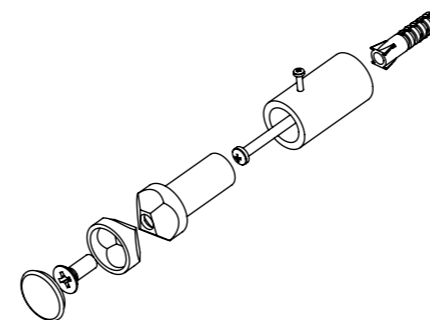
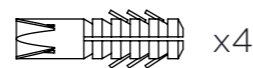
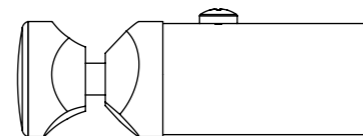


ALL MEASUREMENTS ARE IN MILLIMETRES | MANUFACTURED FROM MILD STEEL

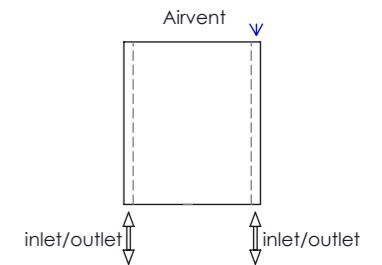
4M15, 5M15, 6M15



Installation Accessories:



Plumbing Position: Vertical Mount



All Dimension are in mm
 Max.Working Pressure: 10 Bar
 Max.Working Temperature: 95° C
 Inlet / Outlet : 1/2" BSP
 Fuel: E/H/D
 Ø25x1.2 mm Hor. Tubes
 30x40x1.5 mm Vert. Profiles

PRODUCT CODE	HEIGHT (H) mm	LENGTH (L) mm	DEPTH (D) mm	PIPE CENTRES (C) mm	BRACKET CENTRES	
					F mm	S mm
4M15	1467	420	30	380	1268	240
5M15	1467	500	30	460	1268	320
6M15	1467	600	30	560	1268	420