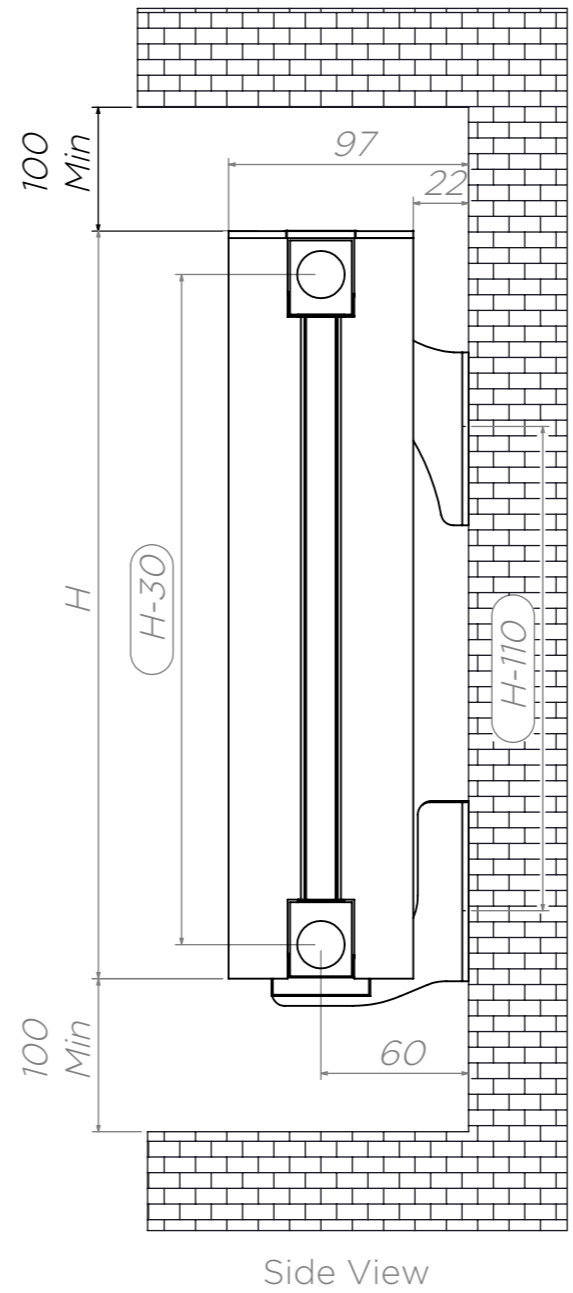
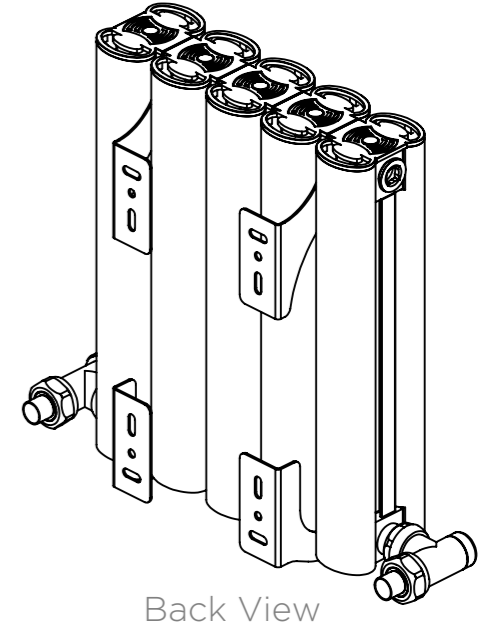
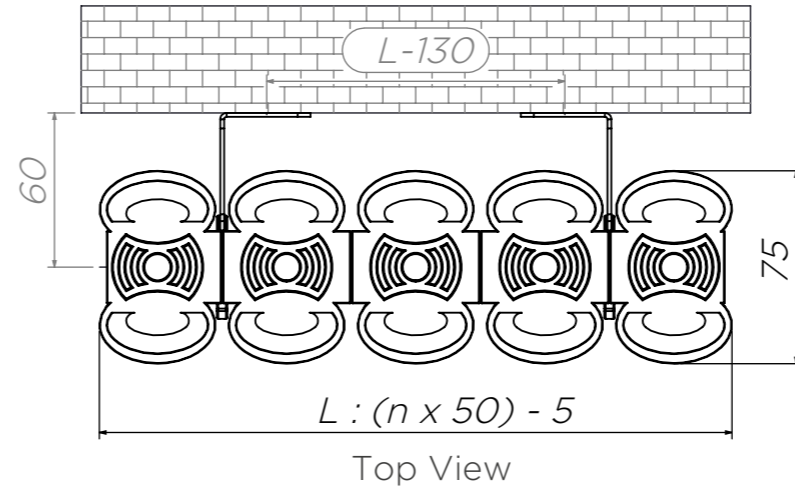
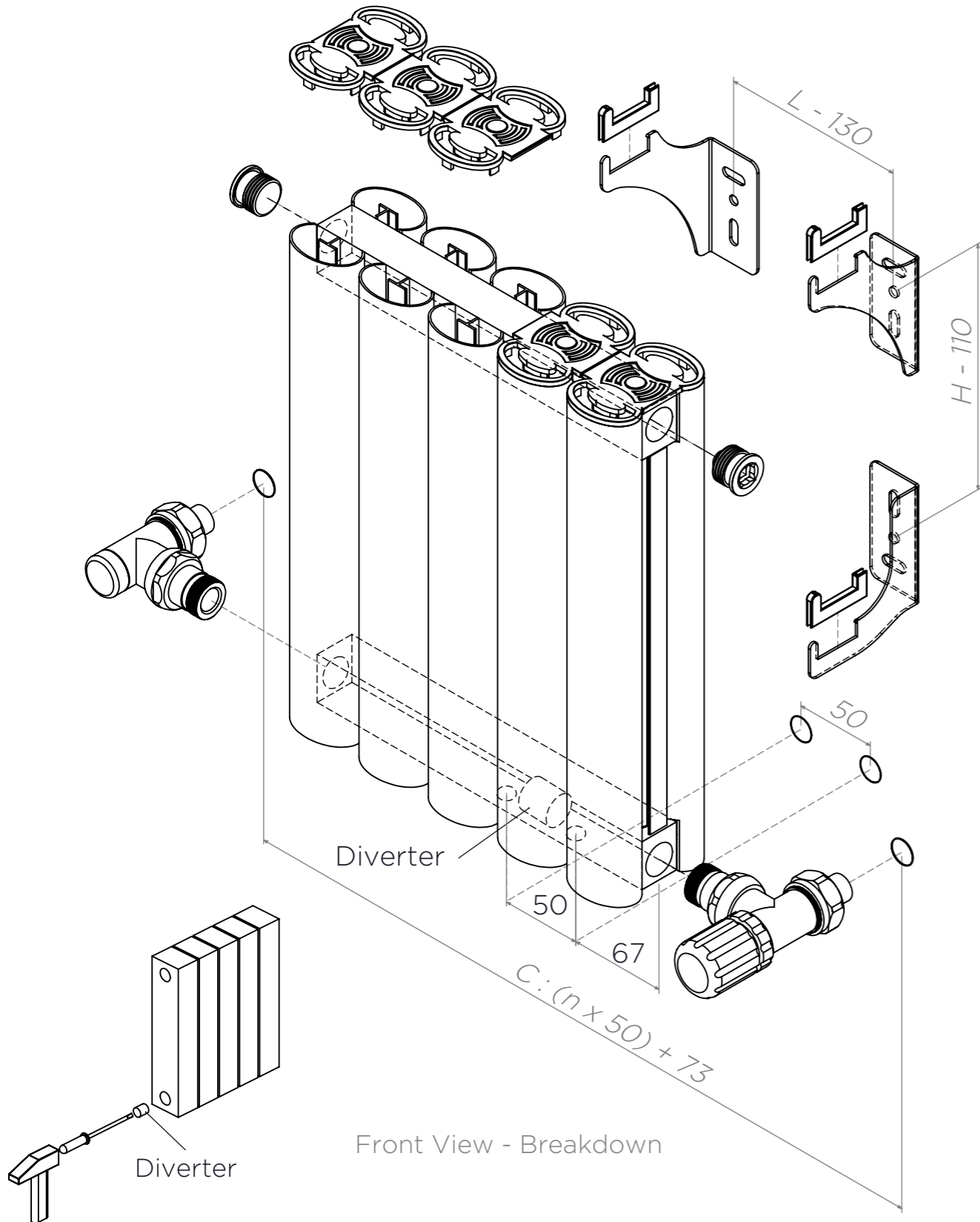


ALL MEASUREMENTS ARE IN MILLIMETRES MANUFACTURED FROM ALUMINIUM



PRODUCT CODE	HEIGHT (H) mm	LENGTH (L) mm	DEPTH (D) mm	PIPE CENTRES mm
VSG411	450	545	75	50/635
VSG414	450	695	75	50/785
VSG416	450	795	75	50/885
VSG418	450	995	75	50/985
VSG420	450	1195	75	50/1085
VSG424	450	1395	75	50/1285
VSG428	450	1595	75	50/1485
VSG432	450	1795	75	50/1685
VSG436	450	1995	75	50/1885
VSG440	450	1955	75	50/2085
VSG607	600	345	75	50/435
VSG609	600	445	75	50/535
VSG611	600	545	75	50/635
VSG614	600	695	75	50/785
VSG616	600	795	75	50/885
VSG618	600	895	75	50/985
VSG620	600	995	75	50/1085
VSG624	600	1195	75	50/1285
VSG628	600	1395	75	50/1485
VSG632	600	1595	75	50/1685
VSG636	600	1795	75	50/1885
VSG640	600	1995	75	50/2085
VSG1506	1500	295	75	50/385
VSG1508	1500	395	75	50/485
VSG1510	1500	495	75	50/585
VSG1512	1500	595	75	50/685
VSG1805	1800	245	75	50/335
VSG1807	1800	345	75	50/435
VSG1809	1800	445	75	50/535
VSG1810	1800	495	75	50/585
VSG1812	1800	595	75	50/685
VSG1814	1800	695	75	50/785
VSG2003	2000	145	75	50/235
VSG2007	2000	345	75	50/435
VSG2009	2000	445	75	50/535
VSG2010	2000	495	75	50/585
VSG2012	2000	595	75	50/685
VSG2014	2000	695	75	50/785

All Dimensions are in mm
 Max. Working Pressure = 10 Bar
 Max. Working Temperature = 95° C
 Inlet / Outlet : 1/2" BSP