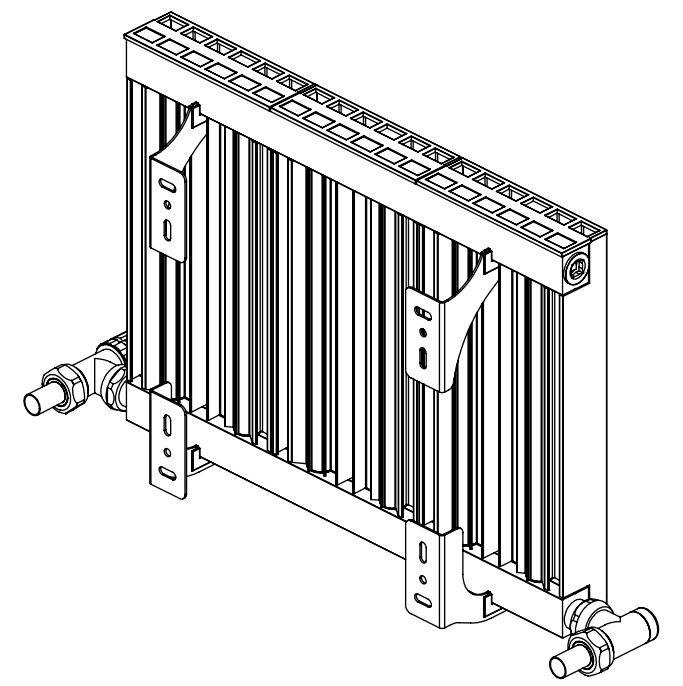
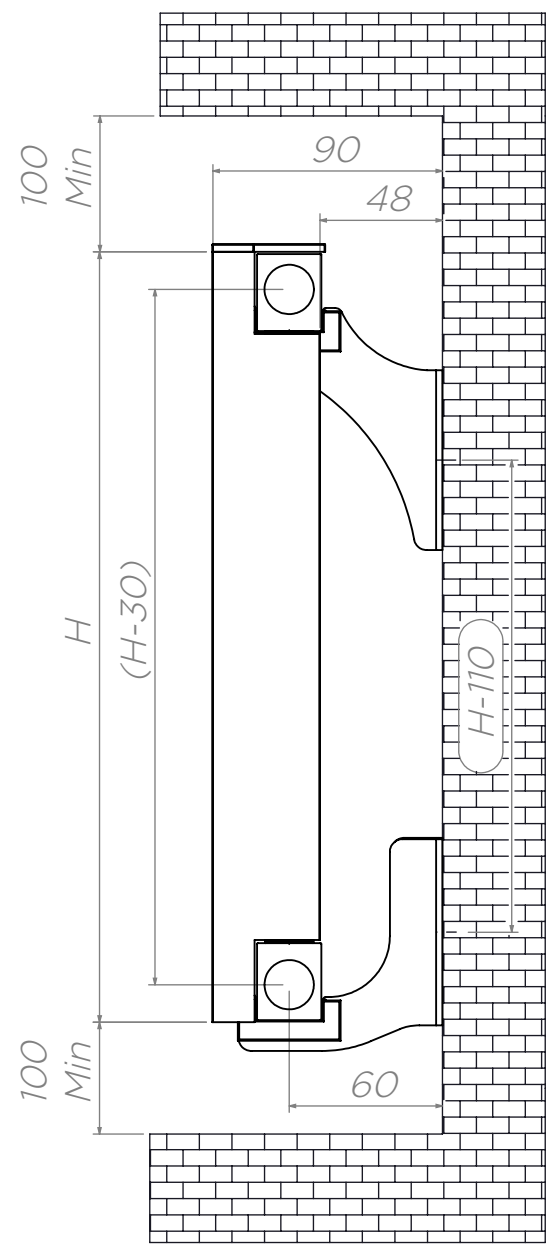
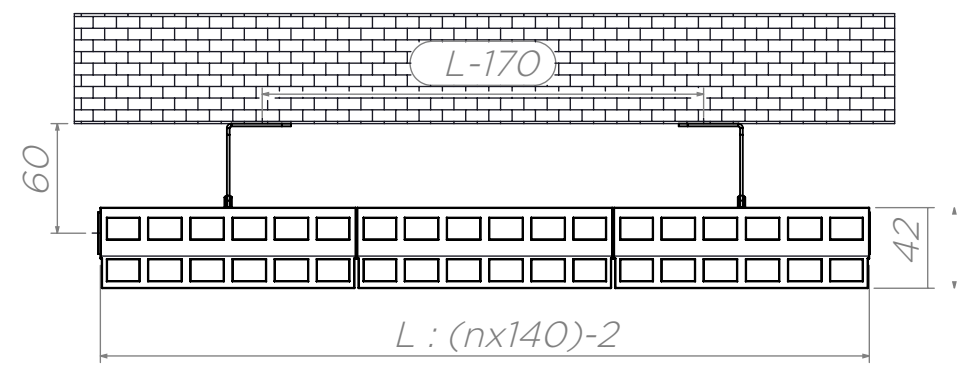
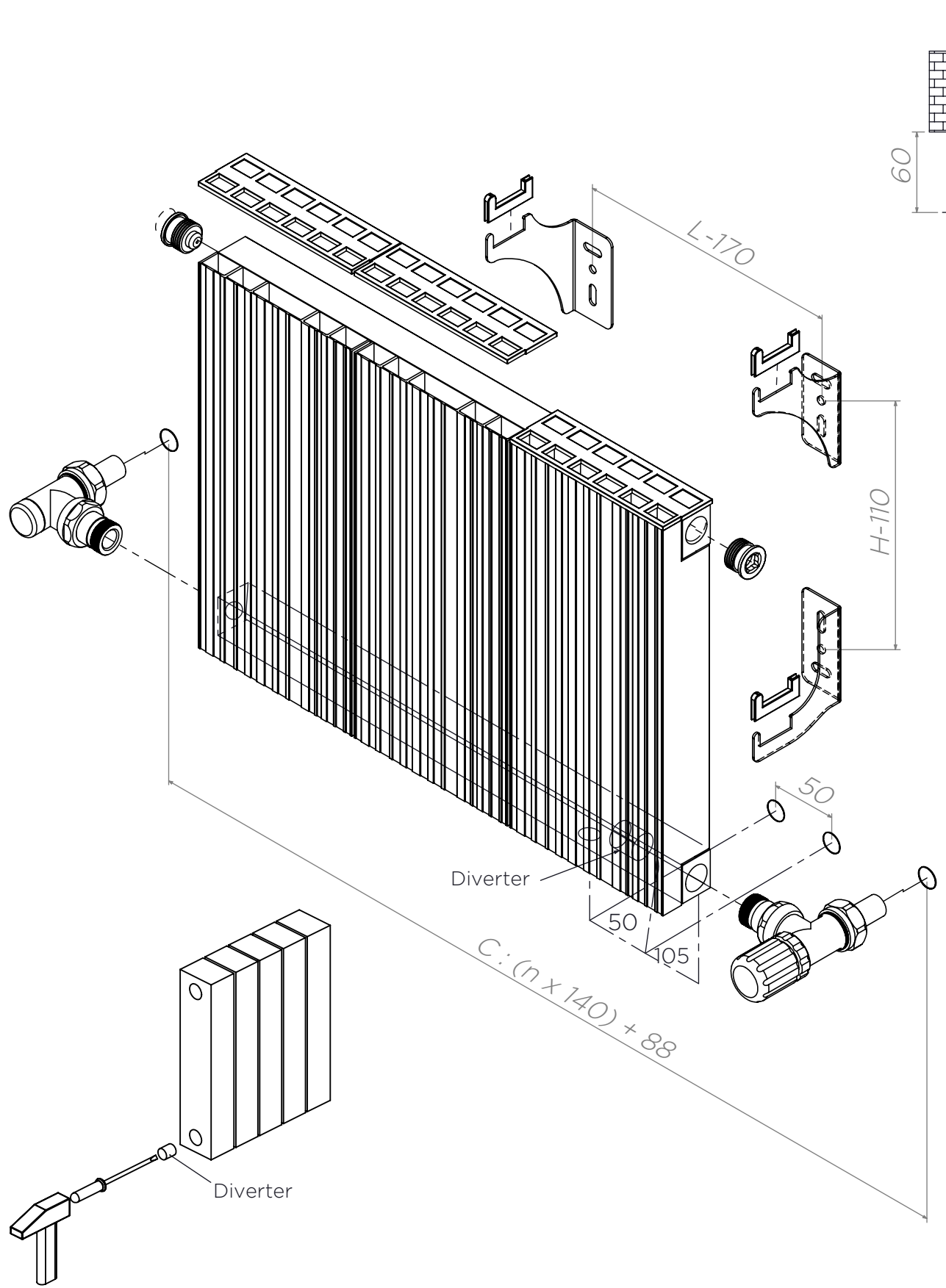


ALL MEASUREMENTS ARE IN MILLIMETRES MANUFACTURED FROM ALUMINIUM



All Dimensions are in mm
 Max. Working Pressure: 10 Bar
 Max. Working Temperature: 95° C
 Inlet / Outlet : 1/2" BSP
 Fuel Type: H

PRODUCT CODE	HEIGHT (H)	LENGTH (L)	DEPTH (D)	PIPE OR SECTIONS
	mm			
POR602	600	278	42	2
POR603	600	418	42	3
POR604	600	558	42	4
POR605	600	698	42	5
POR606	600	838	42	6
POR607	600	978	42	7
POR609	600	1258	42	9
POR610	600	1398	42	10
POR612	600	1678	42	12
POR613	600	1818	42	13
POR614	600	1958	42	14
POR1502	1500	278	42	2
POR1503	1500	418	42	3
POR1505	1500	698	42	5
POR1803	1800	418	42	3
POR1804	1800	558	42	4
POR1805	1800	698	42	5
POR2003	2000	418	42	3
POR2004	2000	558	42	4
POR2005	2000	698	42	5