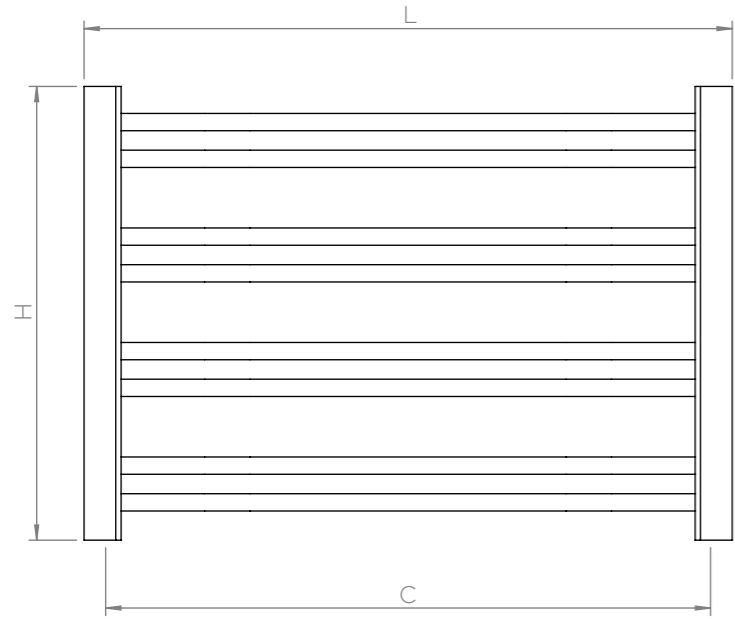
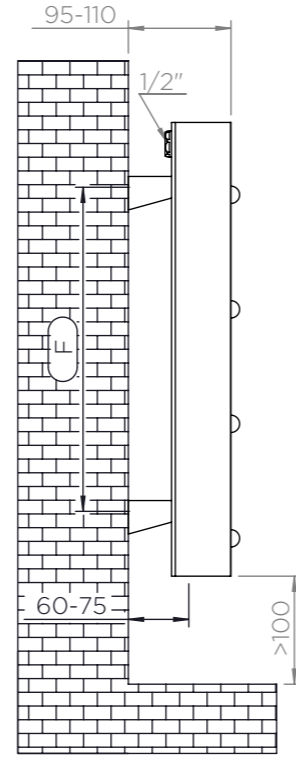


ALL MEASUREMENTS ARE IN MILLIMETRES MANUFACTURED FROM MILD STEEL

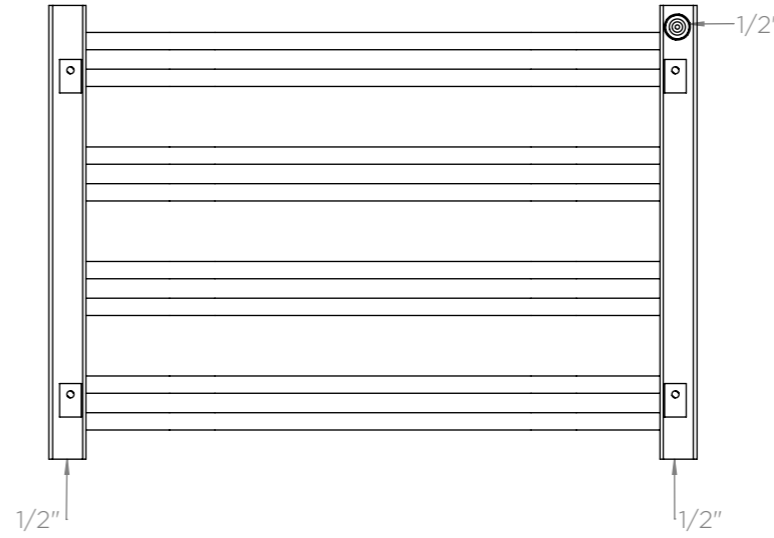
PETC46A



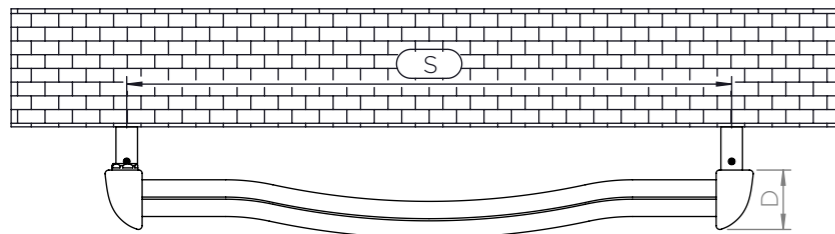
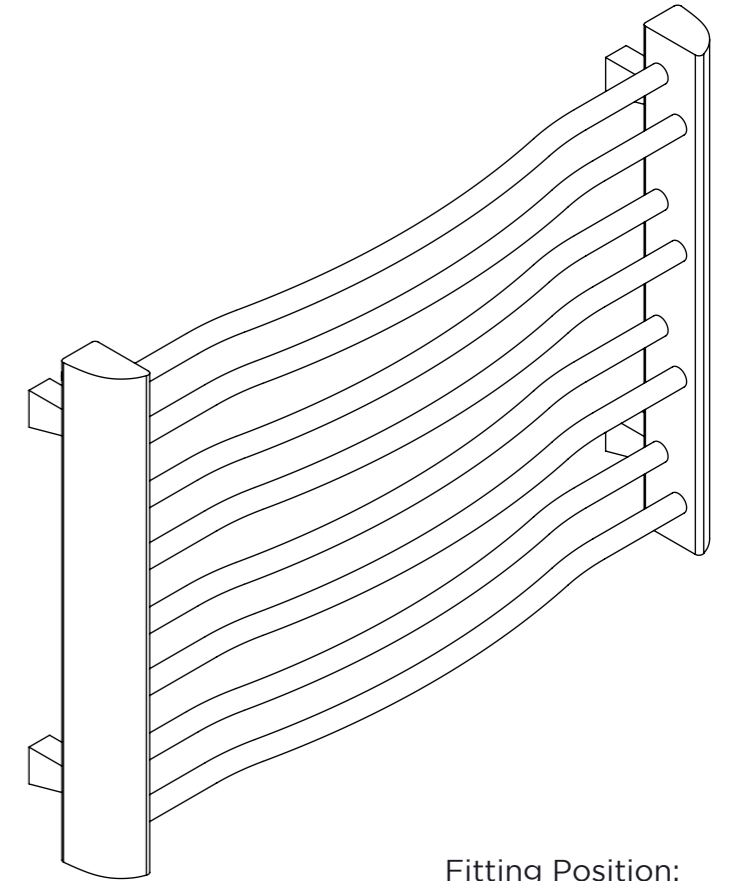
Front View



Side View

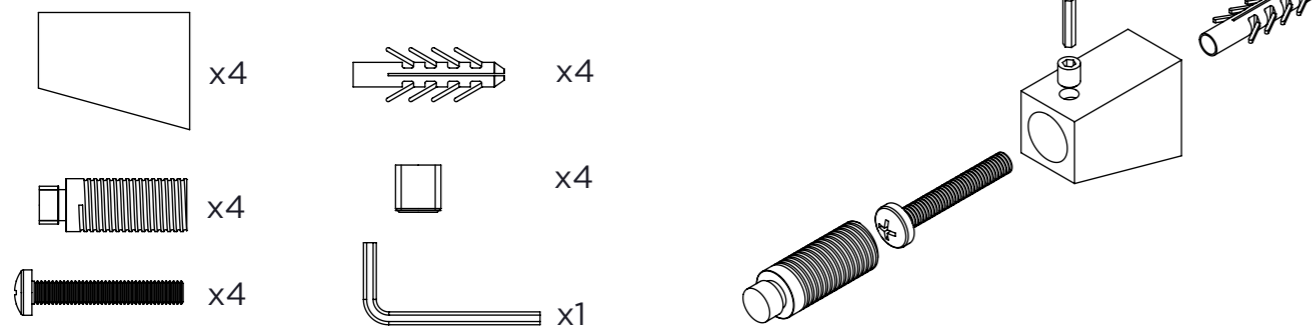


Back View

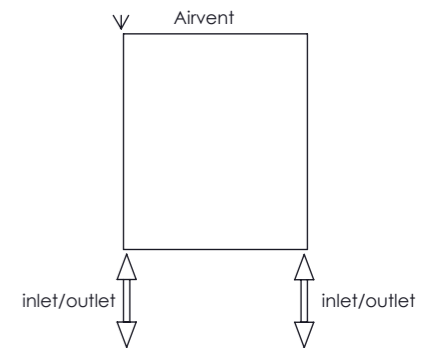


Top View

Installation Accessories:



Fitting Position:



All Dimensions are in mm
 Max. Working Pressure: 10 Bar
 Max. Working Temperature: 95° C
 Inlet / Outlet : 1/2" BSP
 Fuel Type: H

PRODUCT CODE	HEIGHT (H)	LENGTH (L)	DEPTH (D)	PIPE CENTRES (C)	BRACKET CENTRES	
	mm	mm	mm		F mm	S mm
PETC46A	420	600	55	560	300	560