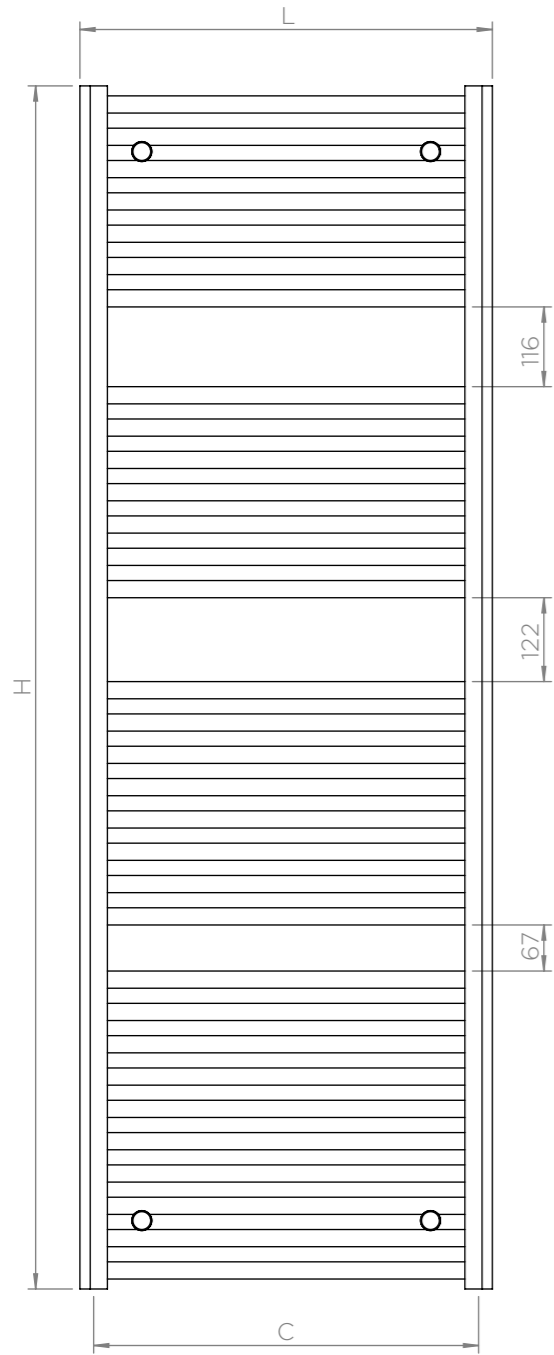
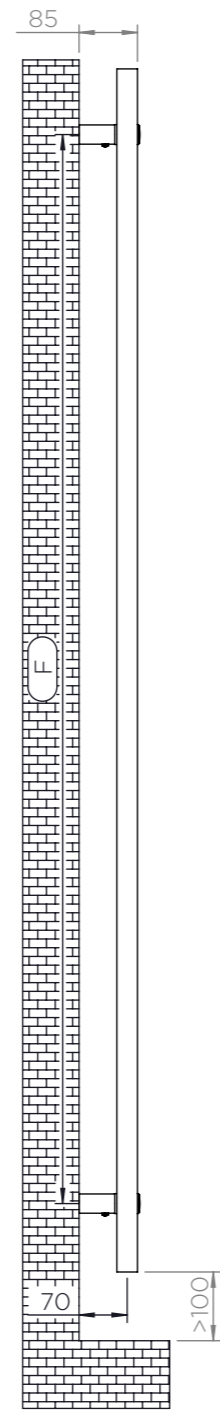


ALL MEASUREMENTS ARE IN MILLIMETRES MANUFACTURED FROM MILD STEEL

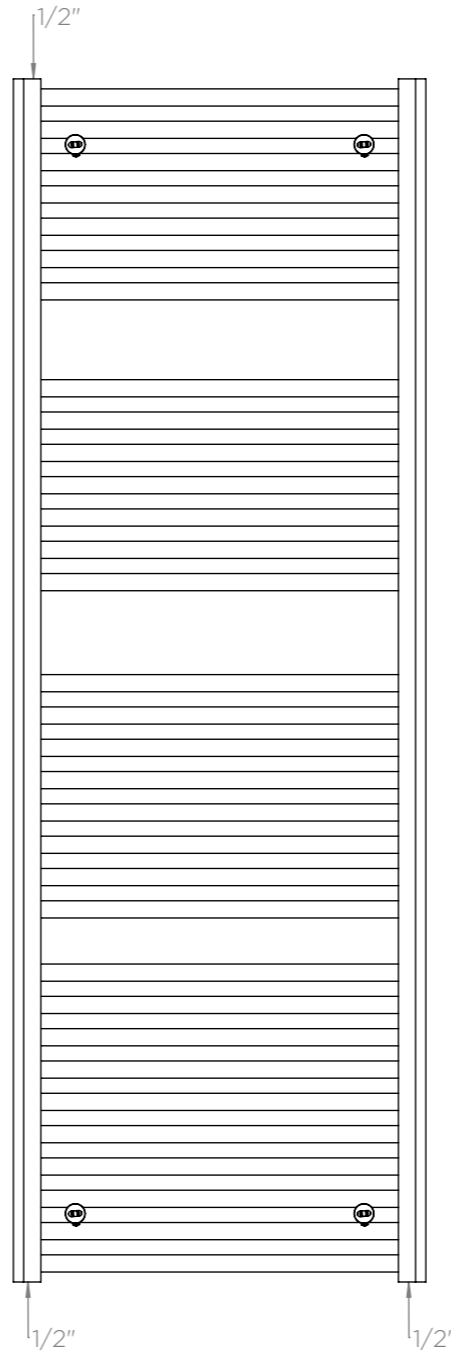
5M17, 6M17, 7M17



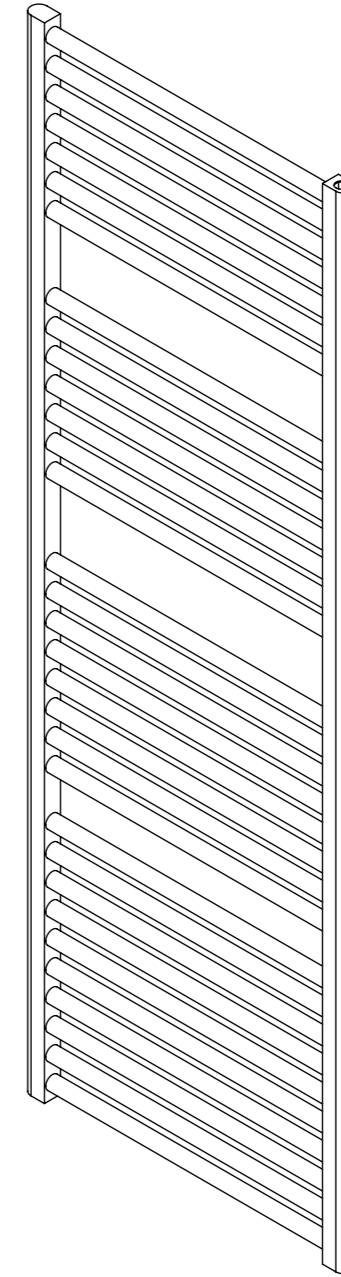
Front View



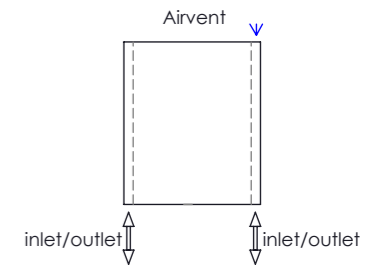
Side View



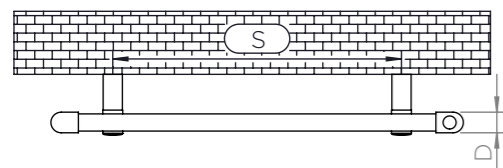
Back View



Plumbing Position:
Vertical Mount

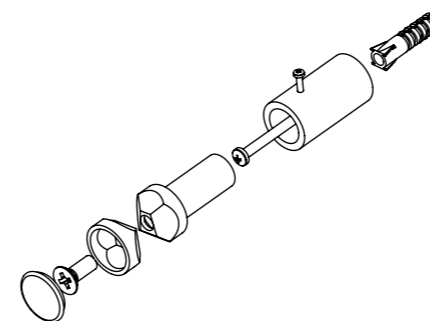
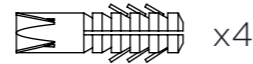
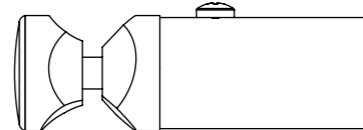


All Dimension are in mm
 Max.Working Pressure: 10 Bar
 Max.Working Temperature: 95° C
 Inlet / Outlet : 1/2" BSP
 Fuel: E/H/D
 Ø25x1.2 mm Hor. Tubes
 30x40x1.5 mm Vert. Profiles



Top View

Installation Accessories:



PRODUCT CODE	HEIGHT (H) mm	LENGTH (L) mm	DEPTH (D) mm	PIPE CENTRES (C) mm	BRACKET CENTRES	
					F mm	S mm
5M17	1750	500	30	460	1555	320
6M17	1750	600	30	560	1555	420
7M17	1750	750	30	710	1555	570