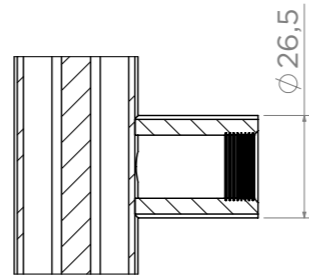
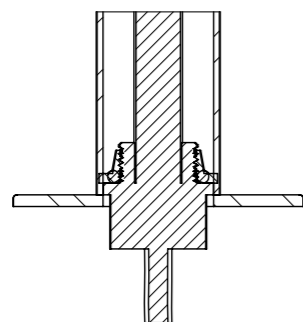
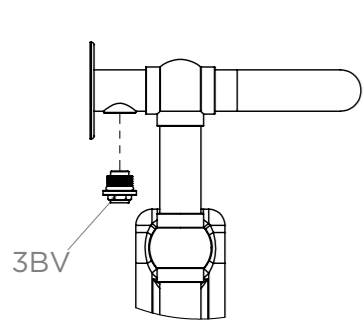
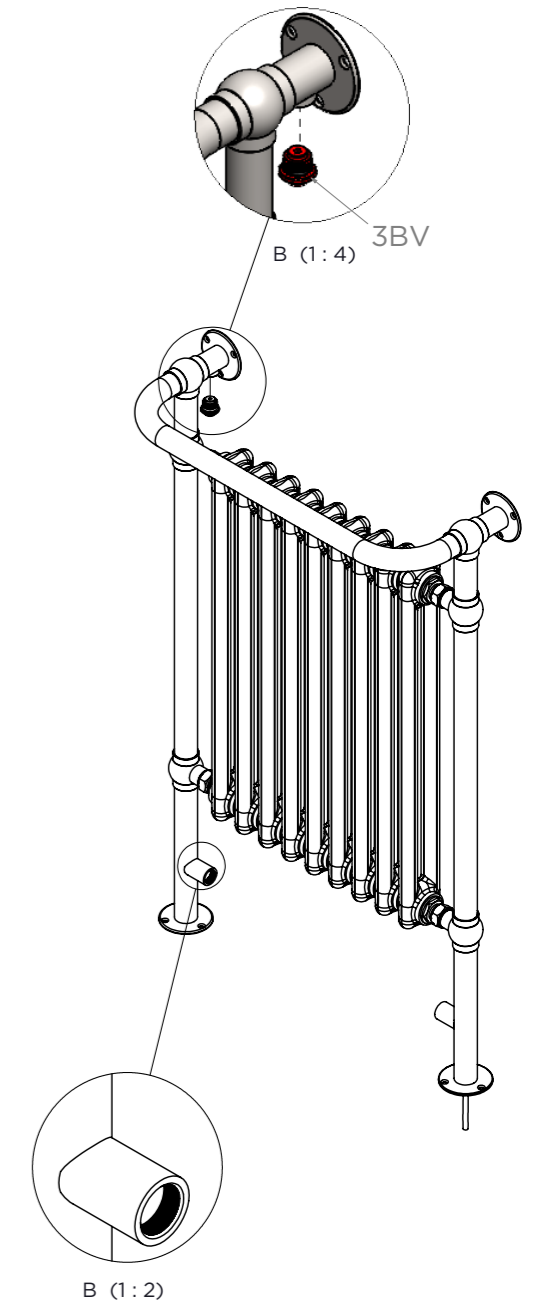
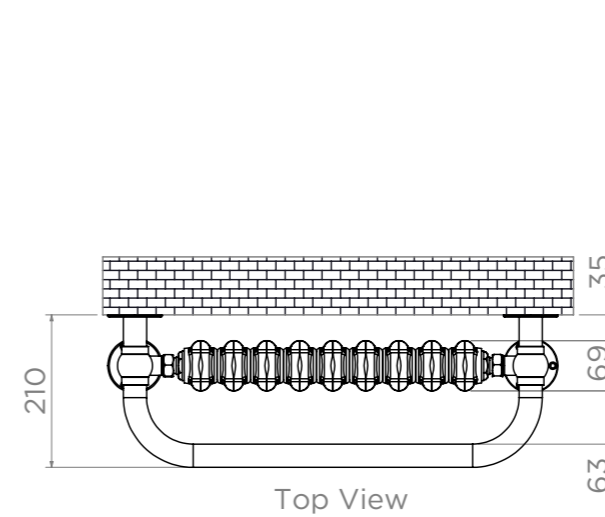
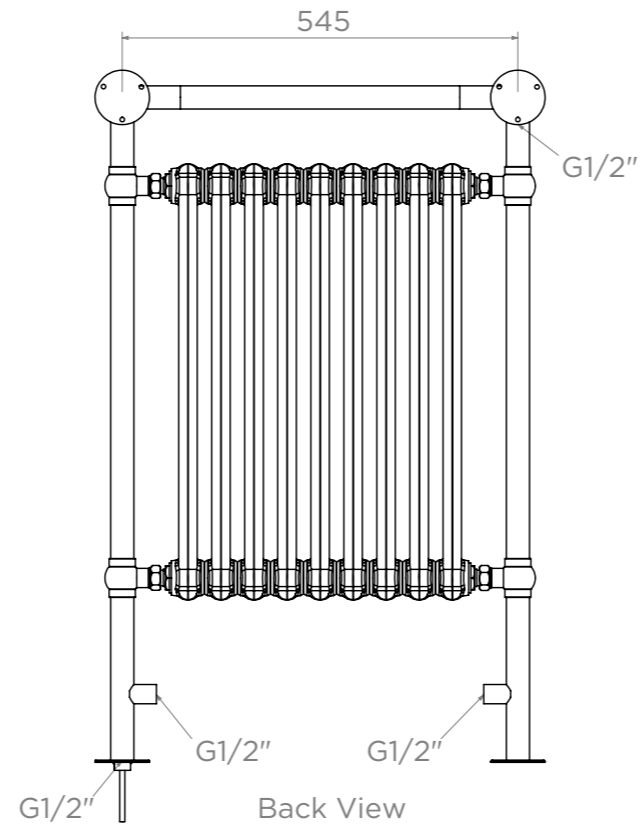
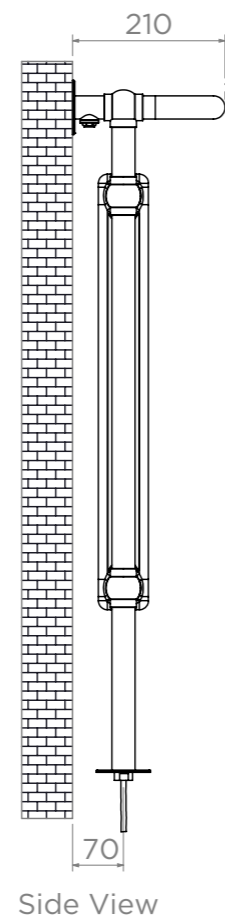
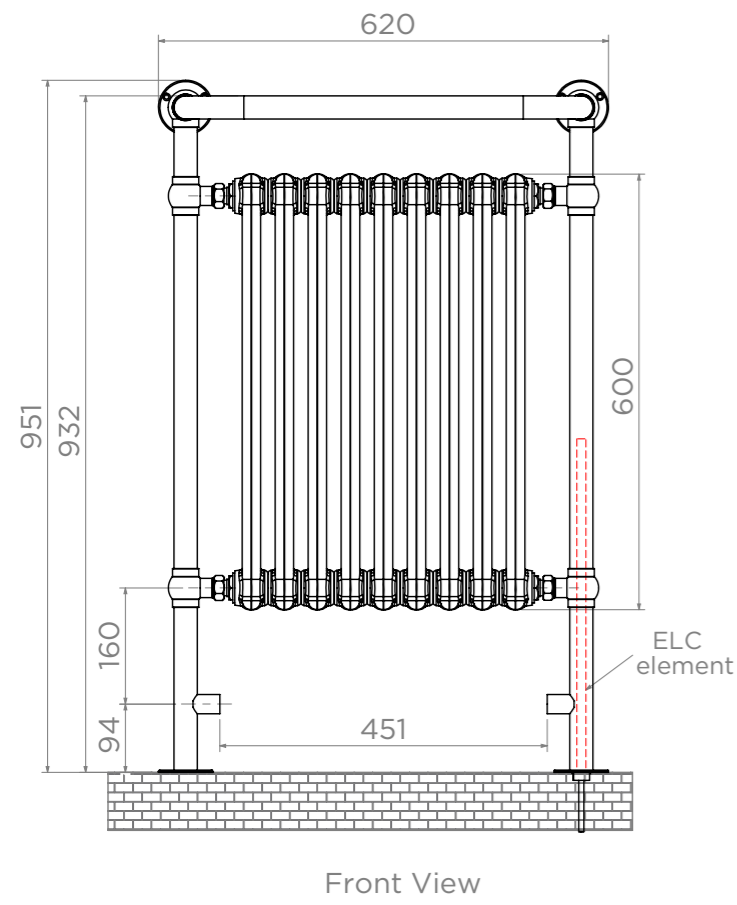


ALL MEASUREMENTS ARE IN MILLIMETRES MANUFACTURED FROM STAINLESS STEEL

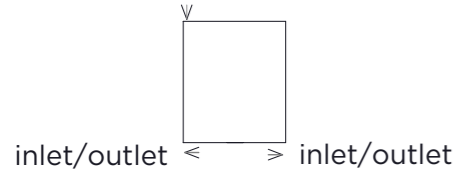
9BE

VS2-09/21



FITTING POSITION:

Airvent



INSTALLATION ACCESSORIES:



Max. Working Pressure = 8 Bar
 Max. Working Temperature = 95° C
 Inlet / Outlet : 1/2" BSP