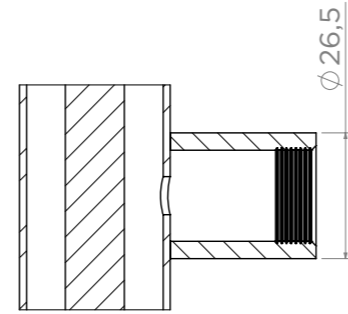
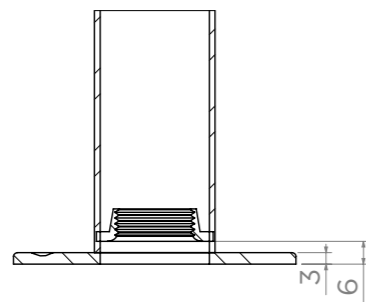
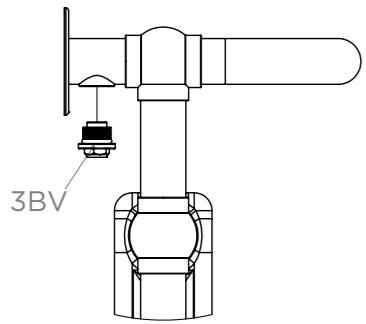
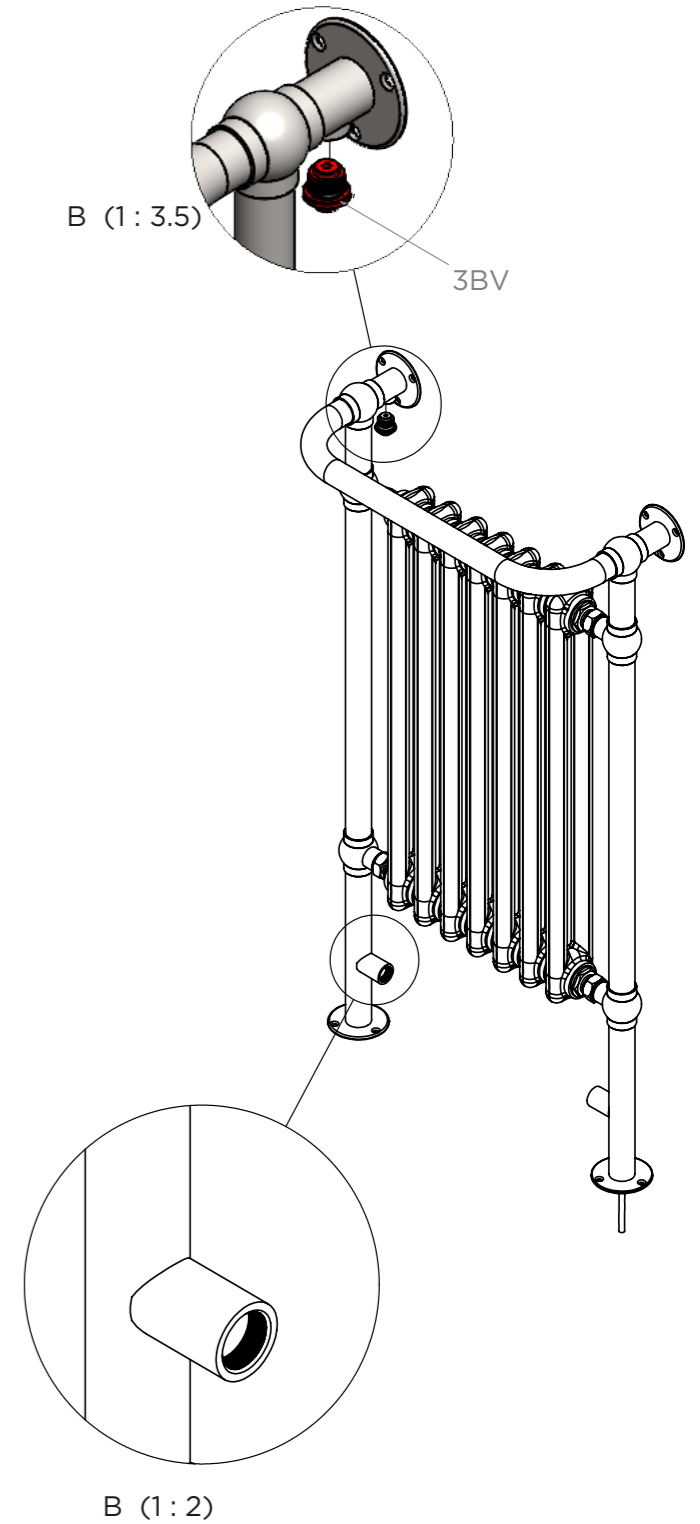
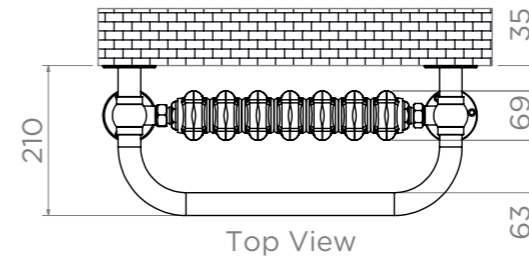
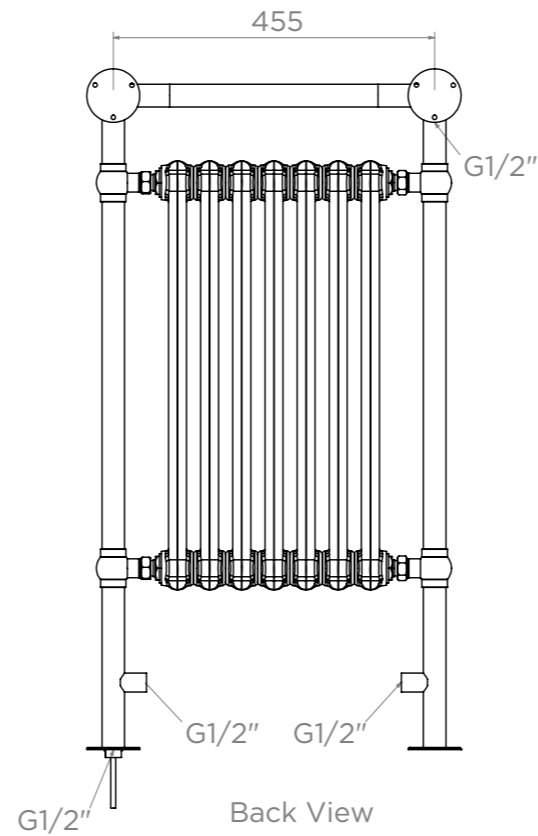
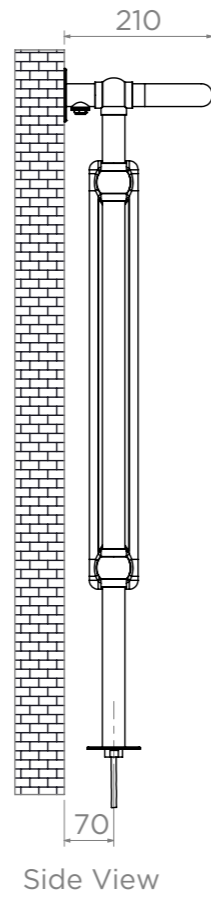
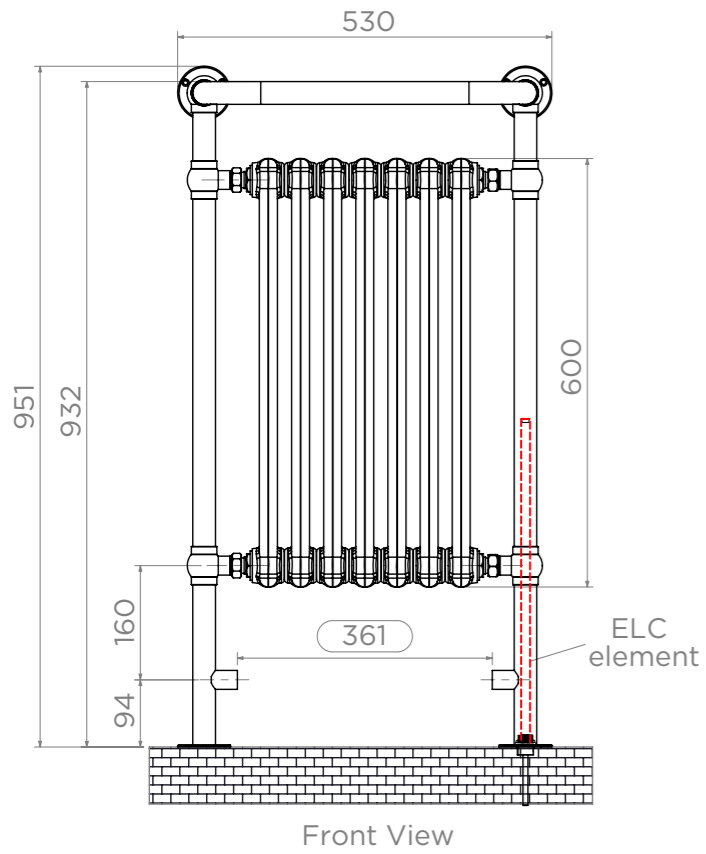


ALL MEASUREMENTS ARE IN MILLIMETRES MANUFACTURED FROM STAINLESS STEEL

## 7BE

VS2-09/21



FITTING POSITION:

Airvent

INSTALLATION ACCESSORIES:



inlet/outlet ← → inlet/outlet  
 Elc

Max. Working Pressure = 8 Bar  
 Max. Working Temperature = 95° C  
 Inlet / Outlet : 1/2" BSP