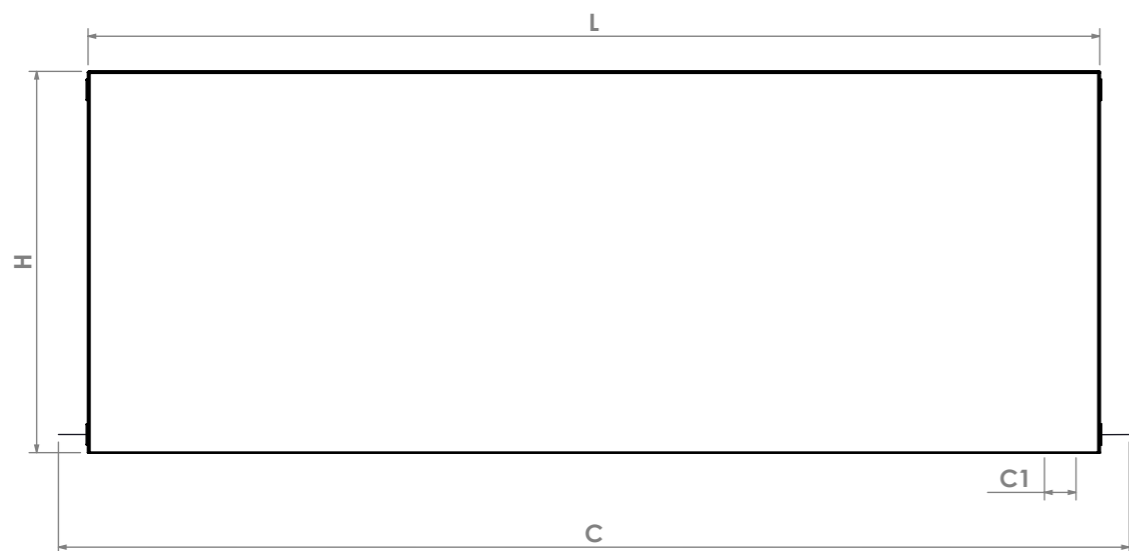
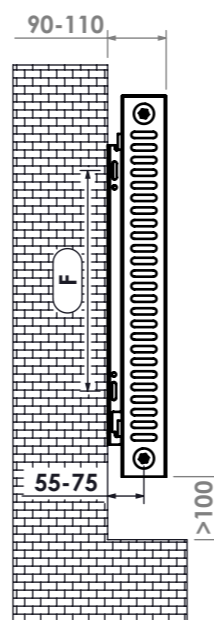


SOVRAN H

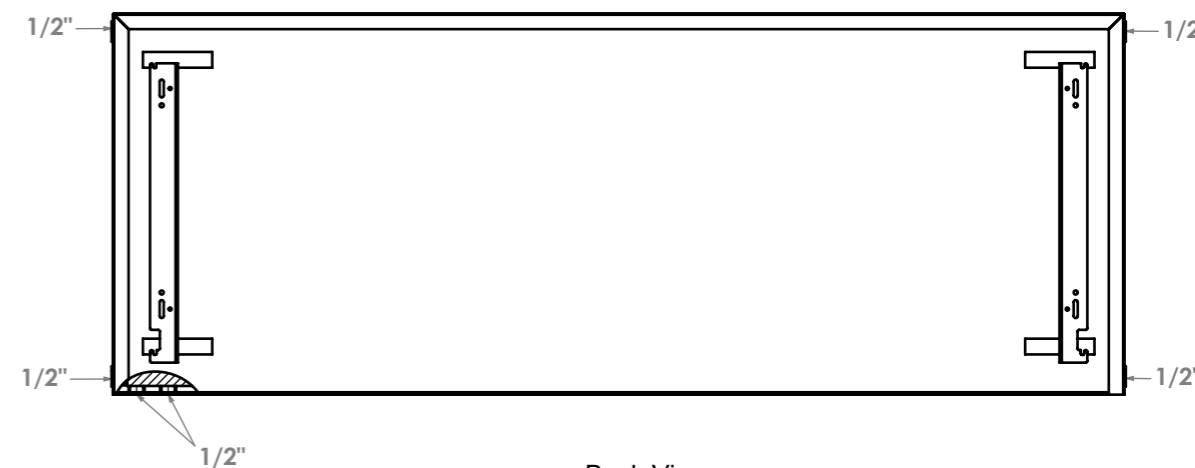
(Sovran Horizontal)



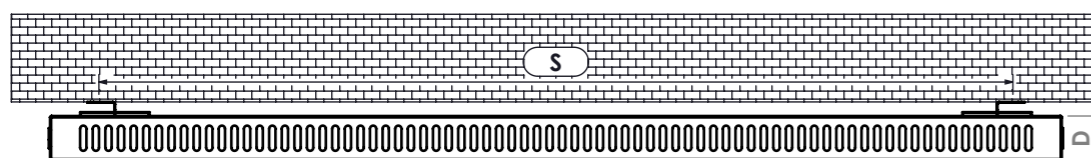
Front View



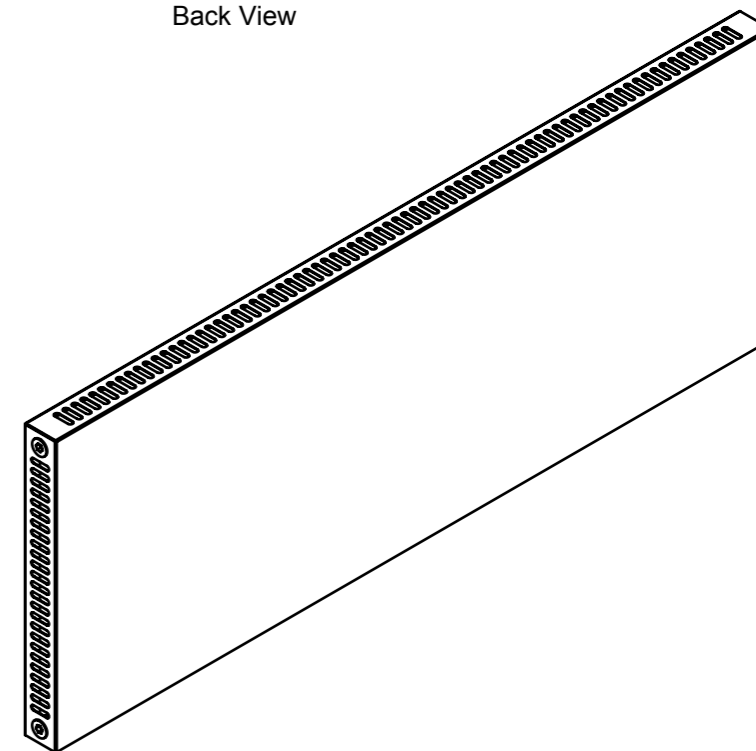
Side View



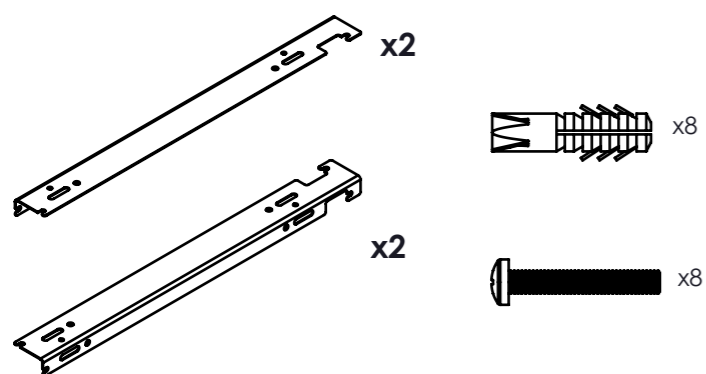
Back View



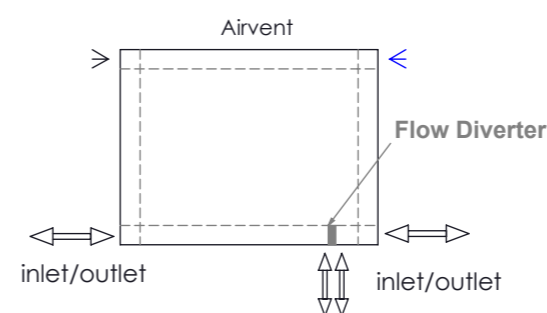
Top View



Installation Accessories:



**Plumbing Position:
Horizontal**



Vertical mount
All Dimensions are in mm
Max. Working Pressure: 10 Bar
Max. Working Temperature: 95° C
Inlet / Outlet : 1/2" BSP
Fuel : H

PRODUCT CODE	Height	Length	Depth	Pipe Centres	Bracket Centres	
	H mm	L mm	D mm	C1-C mm	F mm	S mm
SOVD604h	605	405	72	50-495	355	255
SOVD605h	605	505	72	50-595	355	355
SOVD606h	605	605	72	50-695	355	455
SOVD607h	605	705	72	50-795	355	555
SOVD608h	605	805	72	50-895	355	655
SOVD609h	605	905	72	50-995	355	755
SOVD610h	605	1005	72	50-1095	355	855
SOVD611h	605	1105	72	50-1195	355	955
SOVD612h	605	1205	72	50-1295	355	1055
SOVD614h	605	1405	72	50-1495	355	1255
SOVD616h	605	1605	72	50-1695	355	1455
SOVD618h	605	1805	72	50-1895	355	1655
SOVD620h	605	2005	72	50-2095	355	1855