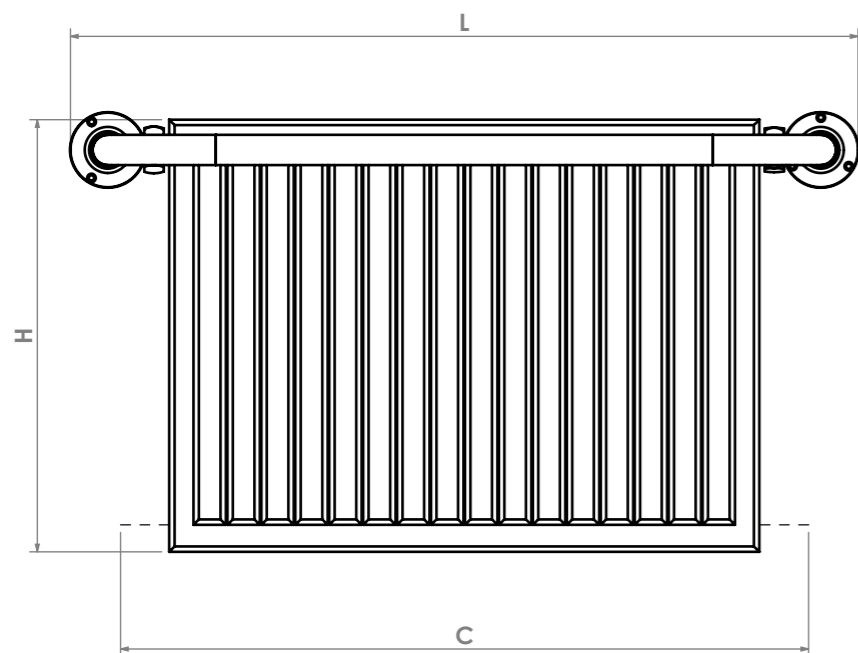
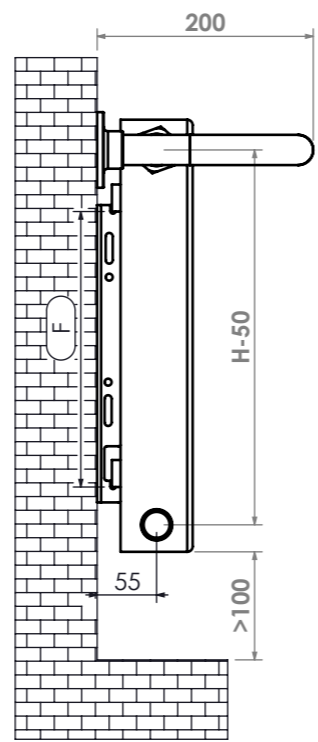


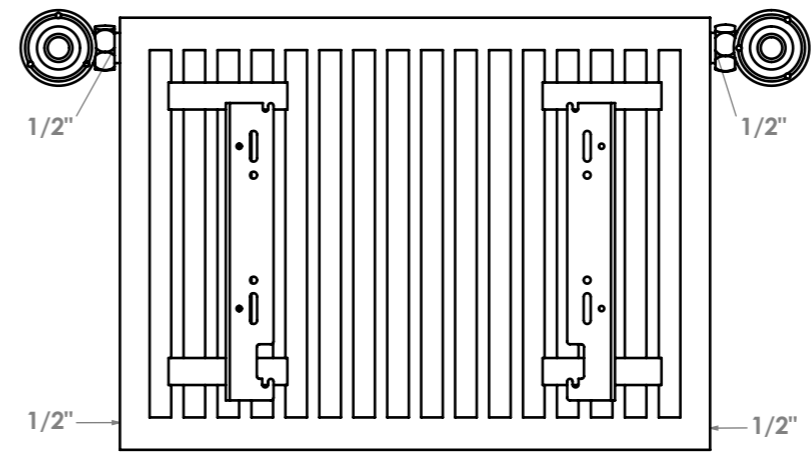
HAMPTON



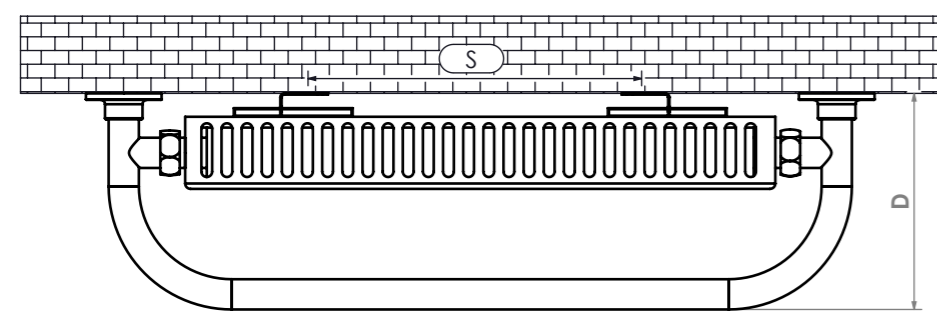
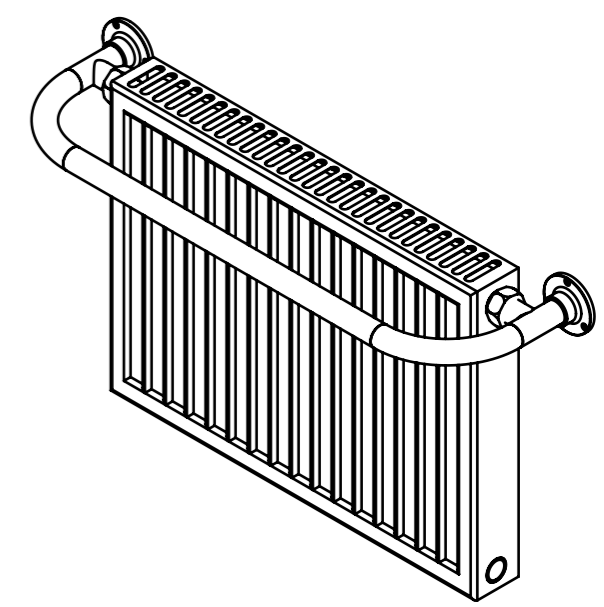
Front View



Side View

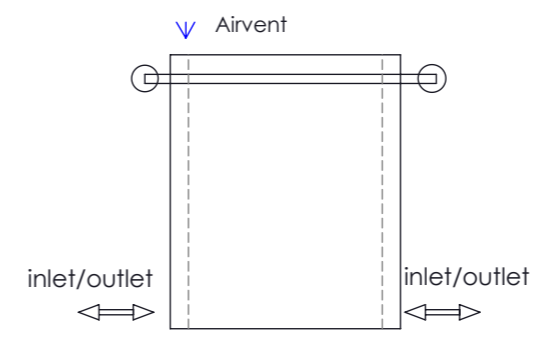


Back View



Top View

Plumbing Position: Vertical



Vertical mount
 All Dimensions are in mm
 Max. Working Pressure: 10 Bar
 Max. Working Temperature: 95° C
 Inlet / Outlet : 1/2" BSP
 Fuel : H

PRODUCT CODE	Height	Length	Depth	Pipe Centres	Bracket Centres	
	H mm	L mm	D mm	C mm	F mm	S mm
4HS	400	734	200	590	150	320
5HS	500	734	200	590	250	320
6HS	600	734	200	590	350	320
7HS	700	734	200	590	450	320
9HS	900	734	200	590	650	320
4HH	400	734	200	590	150	320
5HH	500	734	200	590	250	320
6HH	600	734	200	590	350	320
7HH	700	734	200	590	450	320
9HH	900	734	200	590	650	320
4PHS	400	734	200	590	150	320
5PHS	500	734	200	590	250	320
6PHS	600	734	200	590	350	320
7PHS	700	734	200	590	450	320
9PHS	900	734	200	590	650	320
4PHH	400	734	200	590	150	320
5PHH	500	734	200	590	250	320
6PHH	600	734	200	590	350	320

Installation Accessories:

