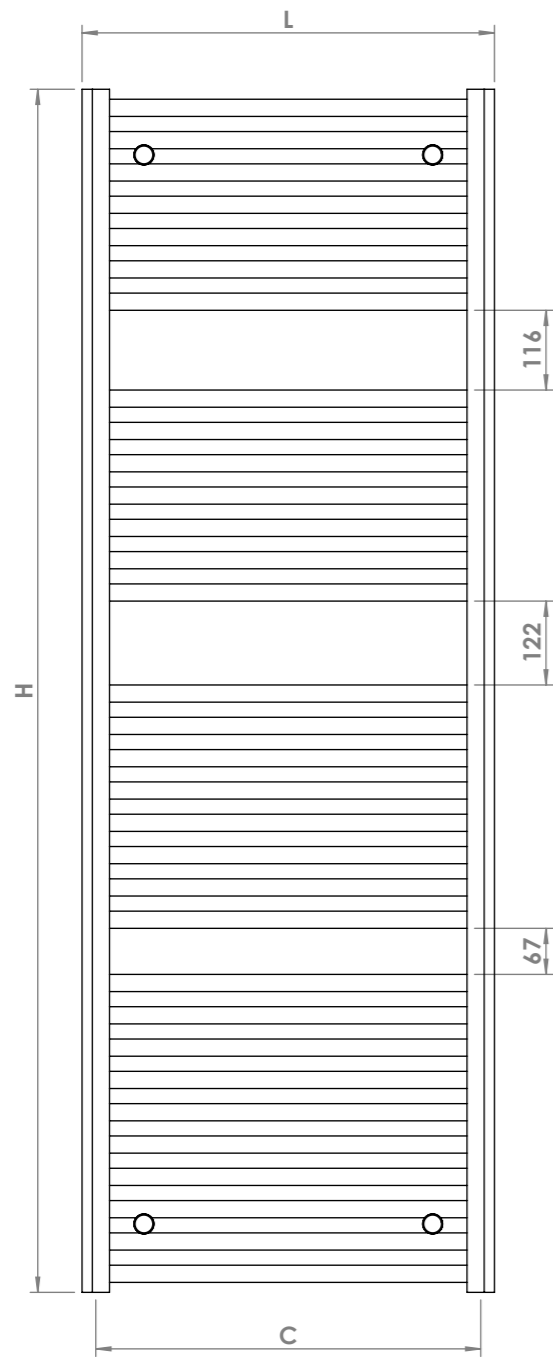
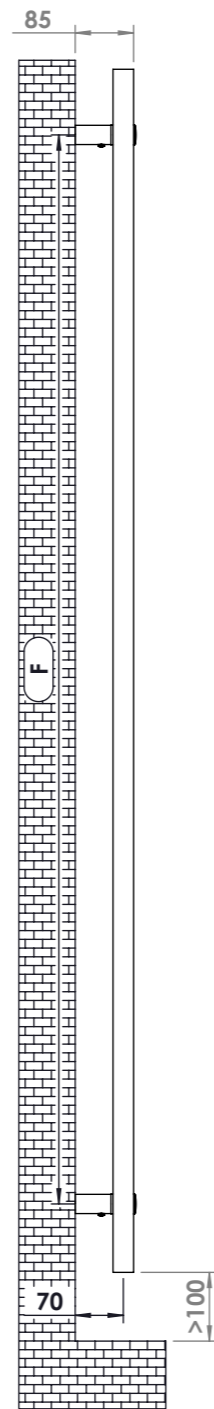


CHELMSFORD

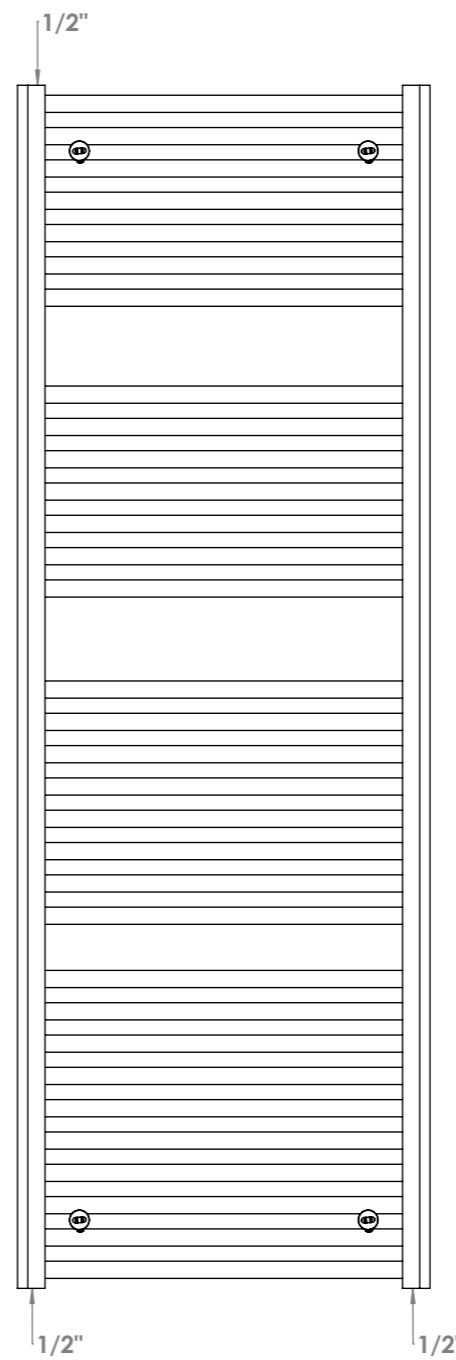
(5M17-6M17-7M17)



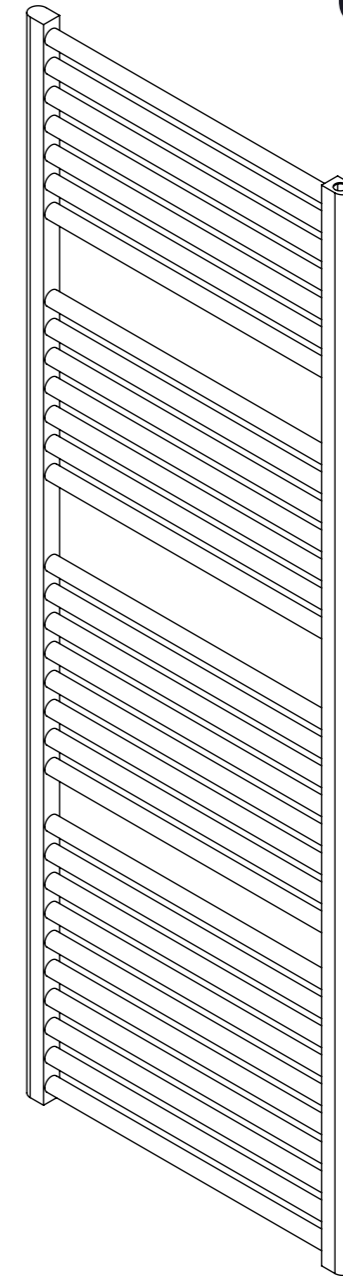
Front View



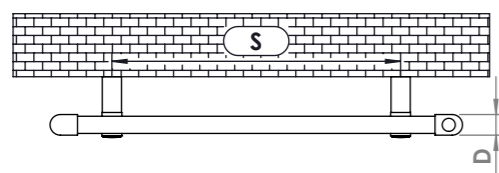
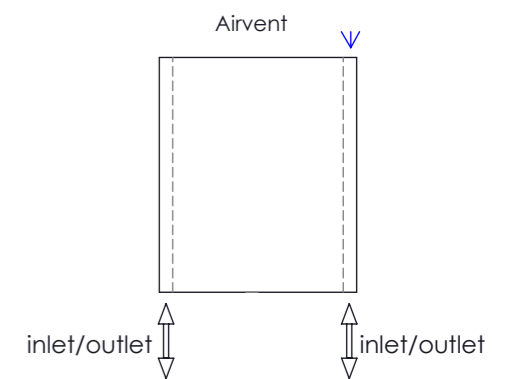
Side View



Back View

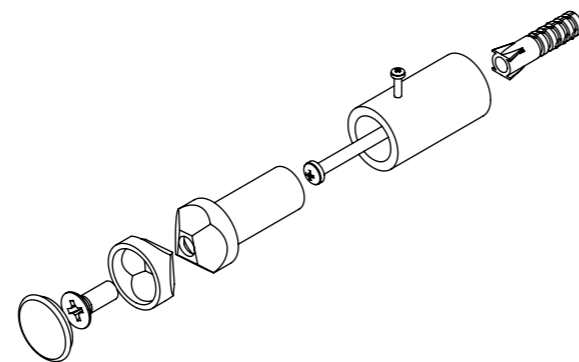
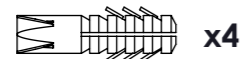
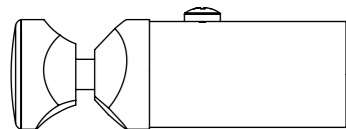


Plumbing Position:
Vertical



Top View

Installation Accessories:



Vertical mount
All Dimensions are in mm
Max.Working Pressure: 10 Bar
Max.Working Temperature: 95° C
Inlet / Outlet : 1/2" BSP
Fuel : E/H/D
Ø25x1.2 mm Hor. Tubes
30x40x1.5 mm Vert. Profiles

PRODUCT CODE	Height	Length	Depth	Pipe Centres	Bracket Centres	
	H mm	L mm	D mm	C mm	F mm	S mm
5M17	1750	500	30	460	1555	320
6M17	1750	600	30	560	1555	420
7M17	1750	750	30	710	1555	570