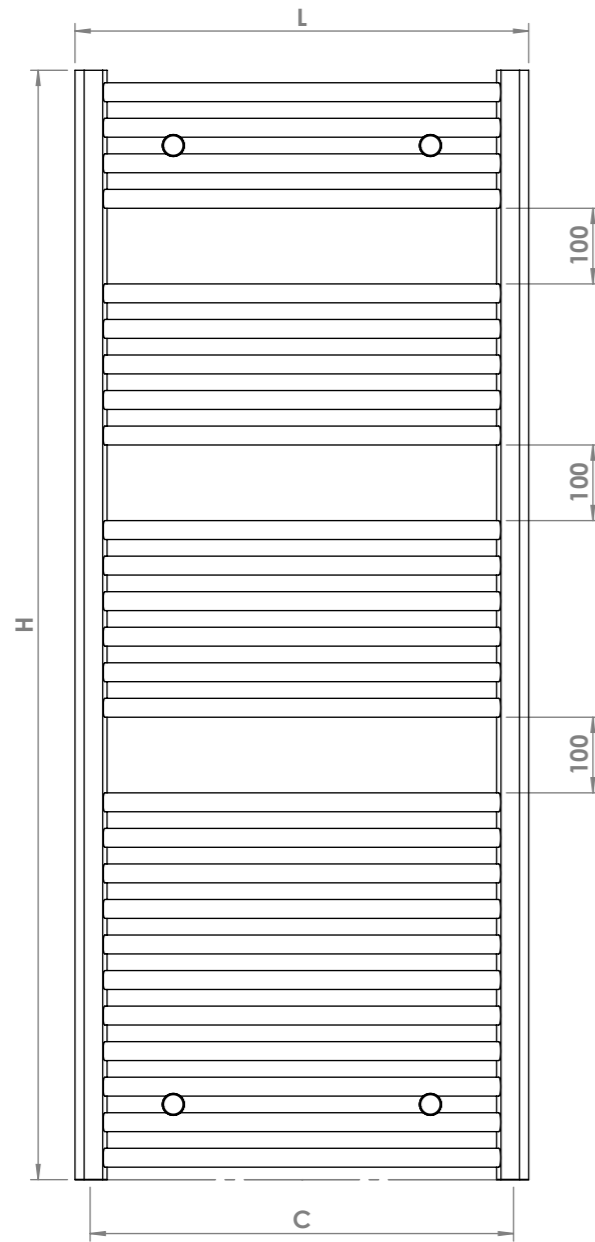
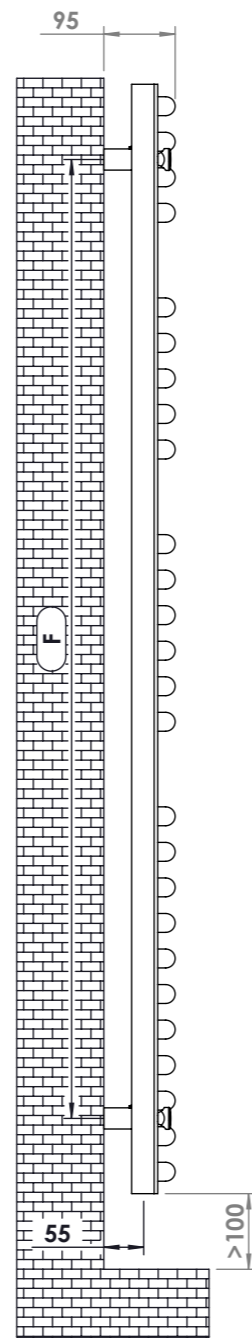


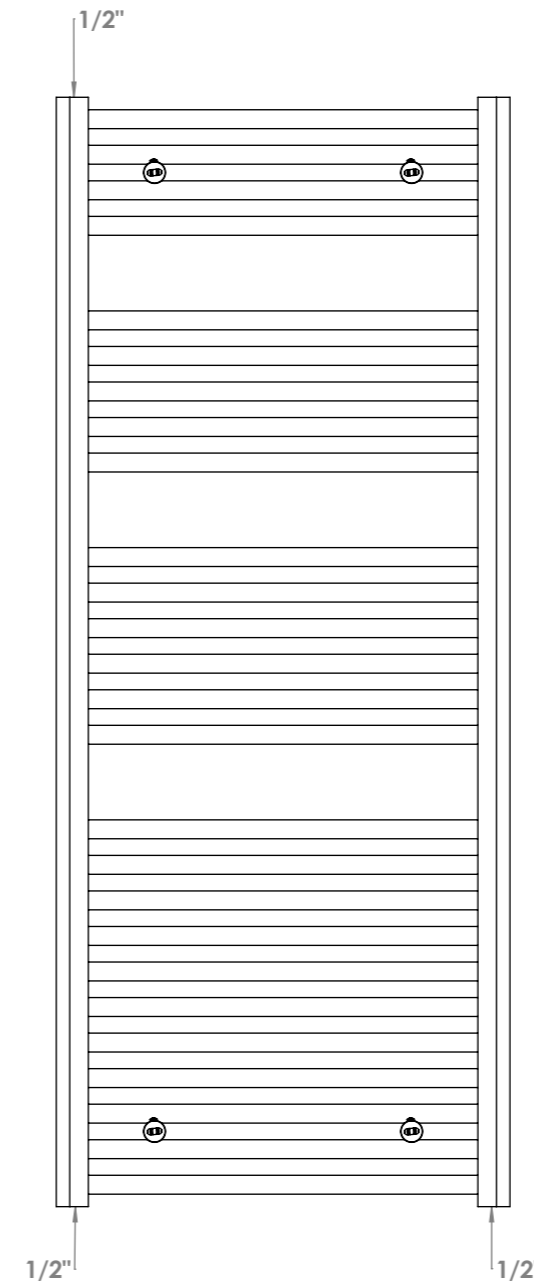
CHELMSFORD (5MA15-6MA15)



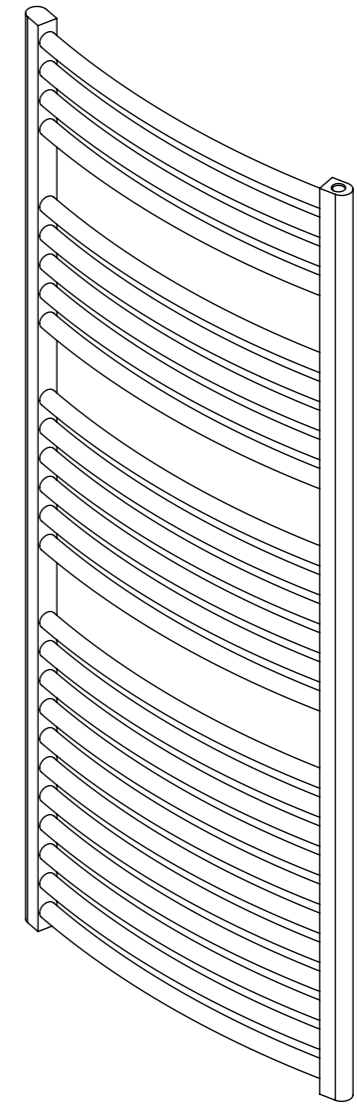
Front View



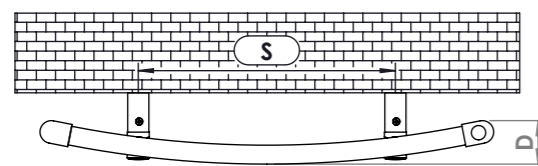
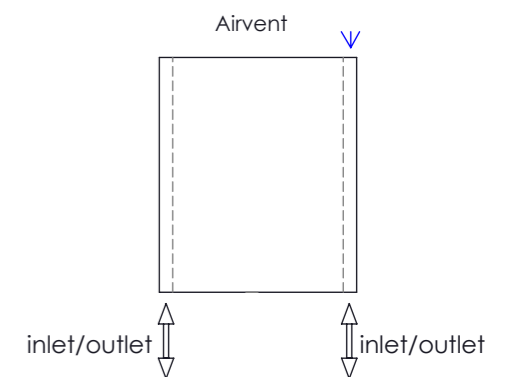
Side View



Back View

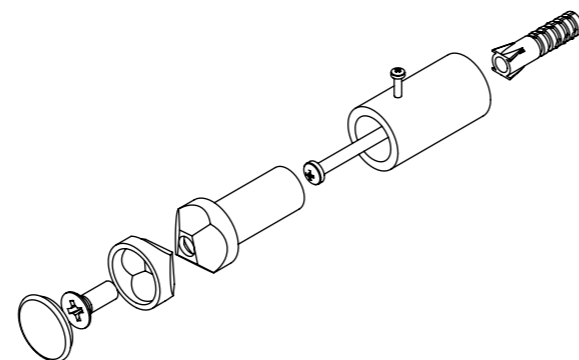
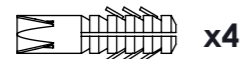
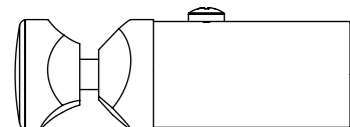


Plumbing Position: Vertical



Top View

Installation Accessories:



Vertical mount
 All Dimensions are in mm
 Max. Working Pressure: 10 Bar
 Max. Working Temperature: 95° C
 Inlet / Outlet : 1/2" BSP
 Fuel : E/H/D
 Ø25x1.2 mm Hor. Tubes
 30x40x1.5 mm Vert. Profiles

PRODUCT CODE	Height	Length	Depth	Pipe Centres	Bracket Centres	
	H mm	L mm	D mm	C mm	F mm	S mm
5MA 15	1467	500	60	460	1268	240
6MA 15	1467	600	65	560	1268	340