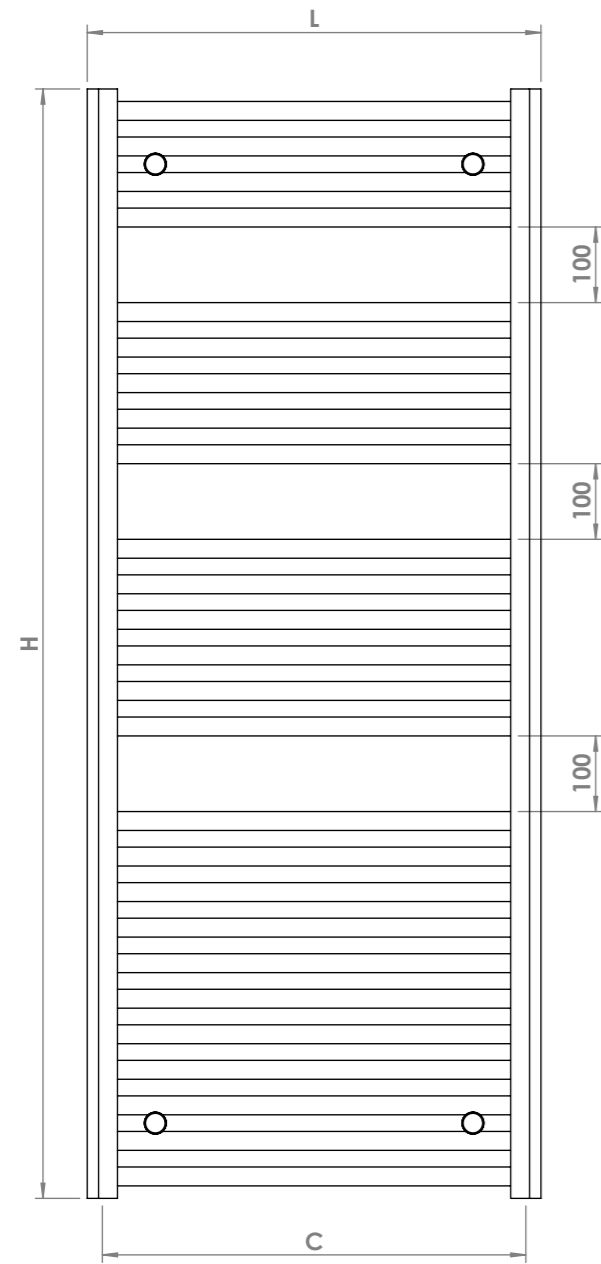
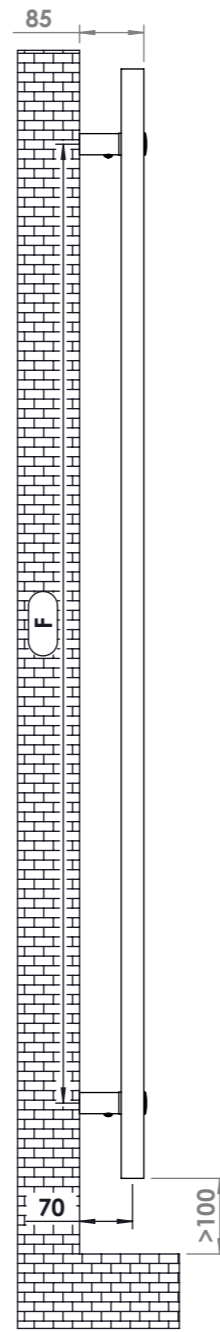


# CHELMSFORD

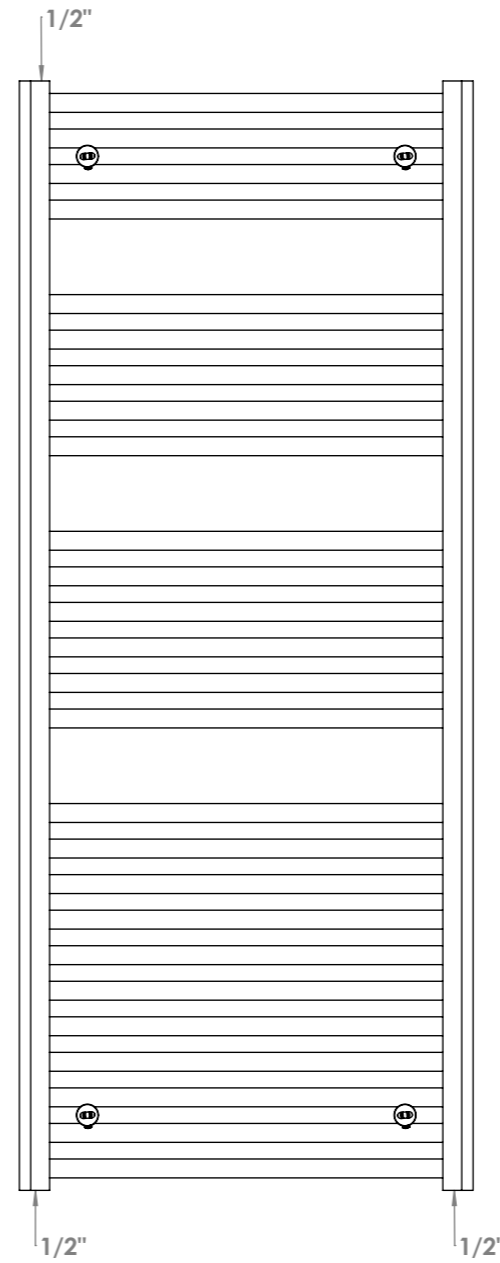
(4M15-5M15-6M15)



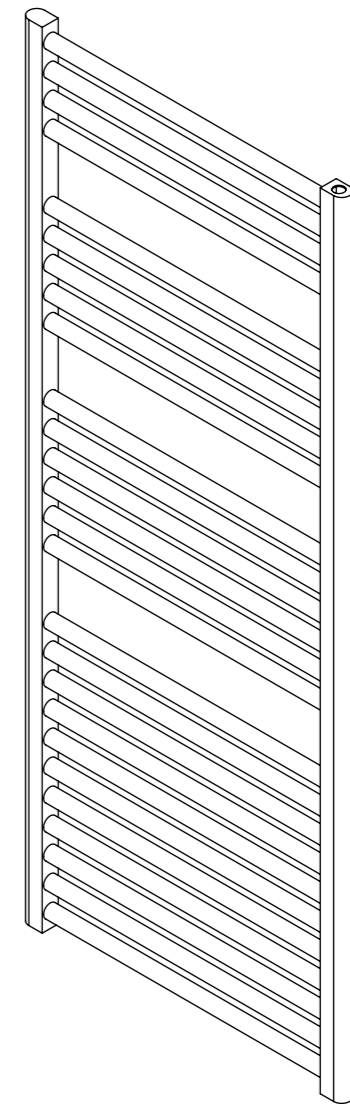
Front View



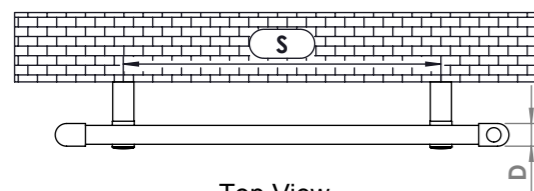
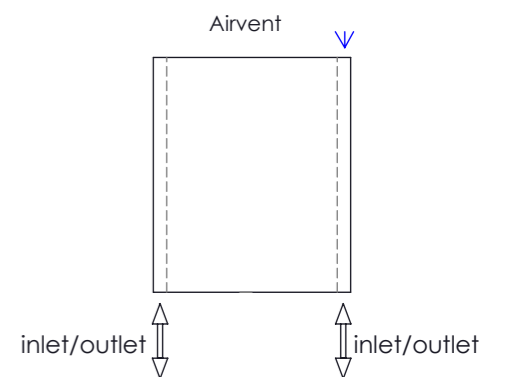
Side View



Back View

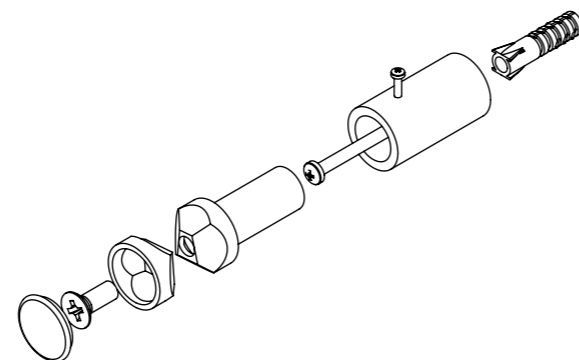
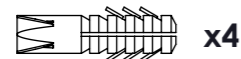
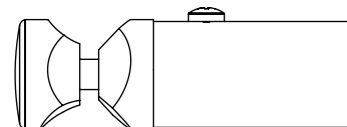


Plumbing Position:  
Vertical



Top View

**Installation Accessories:**



Vertical mount  
 All Dimensions are in mm  
 Max.Working Pressure: 10 Bar  
 Max.Working Temperature: 95° C  
 Inlet / Outlet : 1/2" BSP  
 Fuel : E/H/D  
 Ø25x1.2 mm Hor. Tubes  
 30x40x1.5 mm Vert. Profiles

PRODUCT CODE	Height	Length	Depth	Pipe Centres	Bracket Centres	
	H mm	L mm	D mm	C mm	F mm	S mm
4M15	1467	420	30	380	1268	240
5M15	1467	500	30	460	1268	320
6M15	1467	600	30	560	1268	420